

Certificate of Flame Resistance



REGISTERED
APPLICATION
CONCERN No.

FA-36801

ISSUED BY
GLEN RAVEN MILLS, INC.
1801 N PARK AVE
GLEN RAVEN NC 27215
919-227-6211

Date Work Performed

1/11/00

This is to certify that the materials described on the reverse side hereof have been flame-retardant treated (or are inherently nonflammable).

FOR ASTRUP COMPANY AT 2937 WEST 25th STREET

CITY CLEVELAND STATE OHIO 44113

Certification is hereby made that: (Check "a" or "b")

- (a) The articles described on the reverse side of this Certificate have been treated with a flame-retardant chemical approved and registered by the State Fire Marshal and that the application of said chemical was done in conformance with the laws of the State of California and the Rules and Regulations of the State Fire Marshal.

Name of chemical used _____ Chem. Reg. No. _____

Method of application _____

- (b) The articles described on the reverse side hereof are made from a flame-resistant fabric or material registered and approved by the State Fire Marshal for such use.

Trade name of flame-resistant fabric or material used SUNBRELLA Reg. No. FA-36801

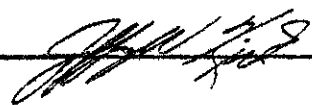
The flame Retardant Process Used WILL NOT Be Removed By Washing
(will or will not)

GLEN RAVEN MILLS, INC.
Name of Production Superintendent

By STEVEN L. ELLINGTON, GEN MGR.
Title

We hereby certify this to be a true copy of the original "CERTIFICATE OF FLAME RESISTANCE" issued to us, "original copy" of which has been filed with the California State Fire Marshal.

The ASTRUP COMPANY

By 

55,000 YD

Control/lot # _____

ALICIA

Quantity _____

Customer order # _____

1267643

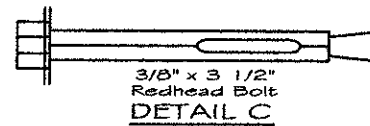
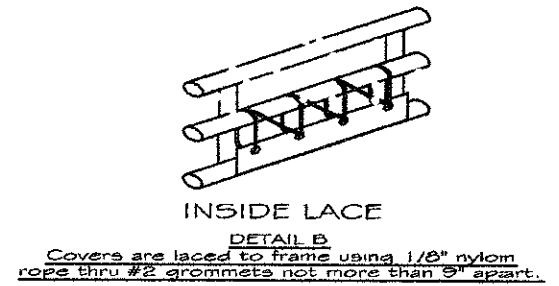
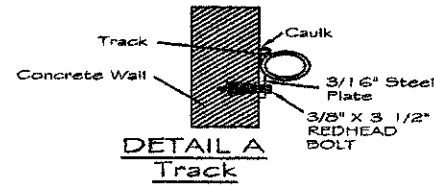
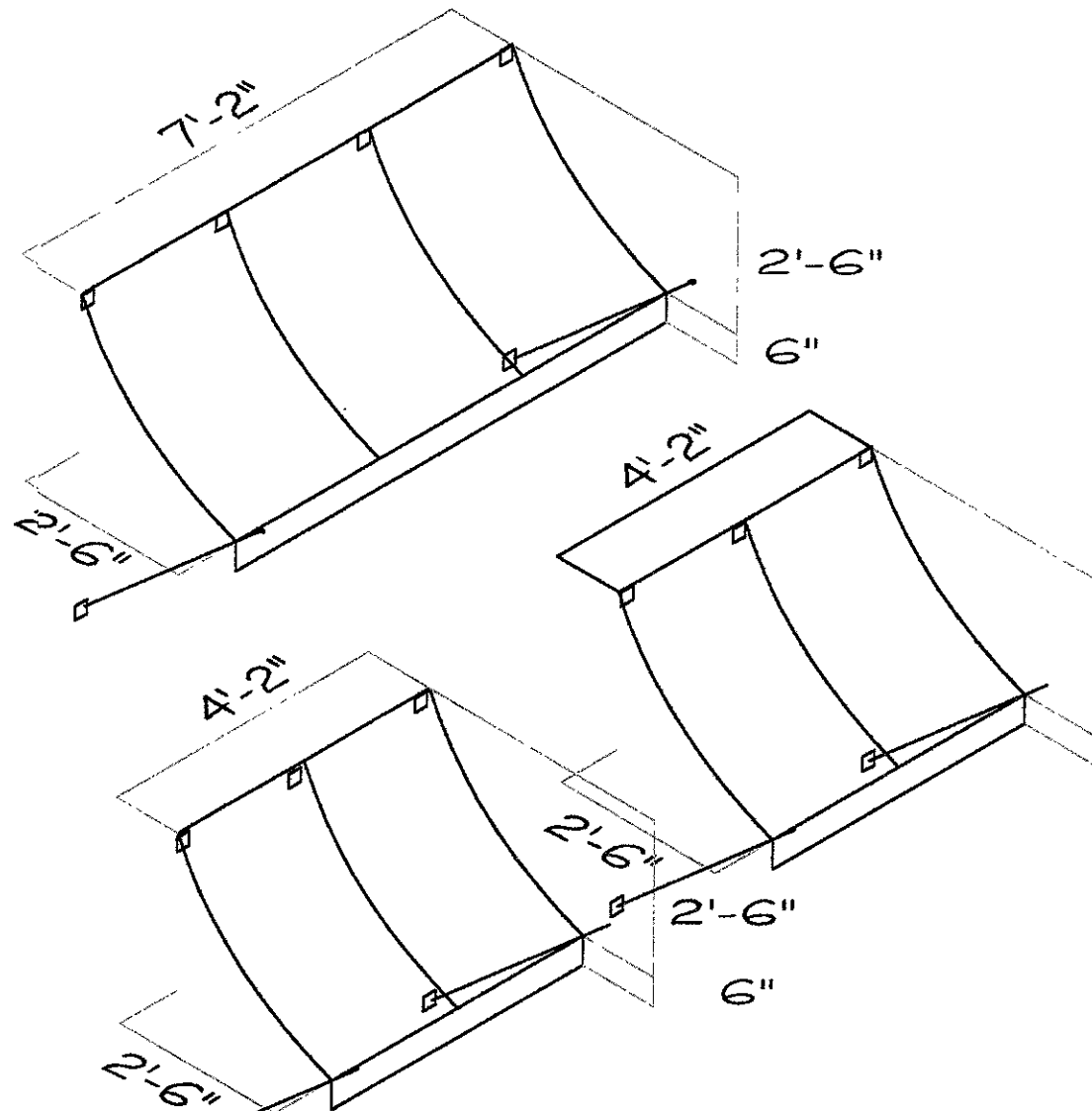
Description _____

898710

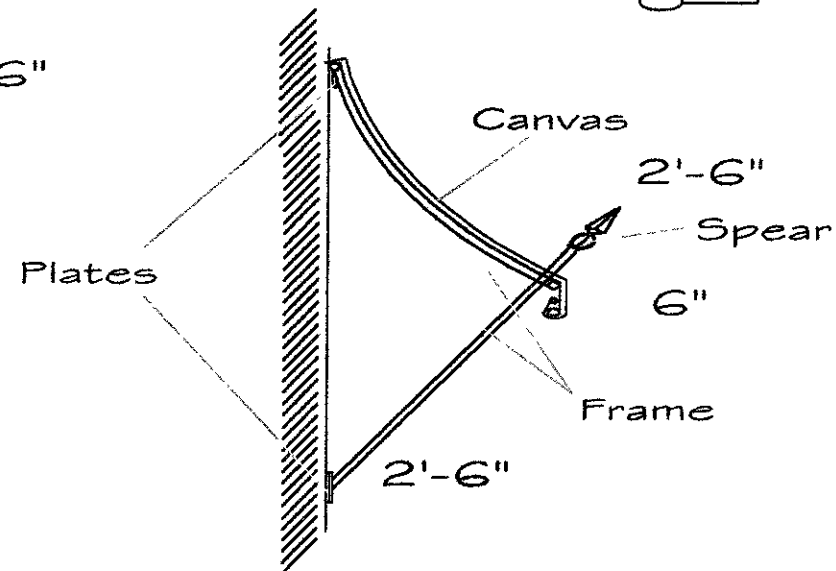
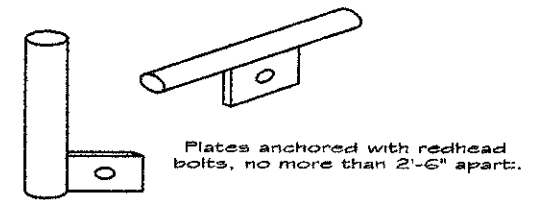
Astrup Invoice # _____

Product Code _____

BISCAYNE AWNING & SHADE
611 NW 5TH ST
MIAMI FL 33128-1621



PIPE SIZES		
Main	Truss	Raft
1"Ø	1"Ø	1"Ø



1. Frame shall be made of galvanized steel pipe schedule 40.
All pipes diameter to be nominal diameter as per AISC manual table 1-93
2. All pipes welded to be developing full tensile strength as per AWS specs.
All frames painted with anti-rust aluminum paint or optional color when specified.
3. Fabric shall be made for easy removal.
4. Fabric shall be laced to frame and attached to track when mounted to wall.
5. Fabrication shall be in accordance w/ chapters 43 and 44 of the sofa. Building Code.
6. Wind design per ASCE 7-93. Open building, exposure c
7. Customer shall remove cover when winds exceeds 75 MPH
8. Awning Fabric Color: SUMBRELLA 6026 NAVY BLUE Frame Color: BLACK

LUIS RANGEL 332 VIZCAYA AVENUE CORAL GABLES, FL			
Scale: N.T.S.	Approved By:	Date: 02/04/03	Drawn By: A. R.
			Plan Number: 37
Job: FRONT AND SIDE OF HOUSE			



BUILDING CODE COMPLIANCE OFFICE
METRO-DADE FLAGLER BUILDING
140 WEST FLAGLER STREET, SUITE 1603
MIAMI, FLORIDA 33130-1563
(305) 375-2901 FAX (305) 375-2908

CONTRACTOR LICENSING SECTION
(305) 375-2527 FAX (305) 375-2558

CONTRACTOR ENFORCEMENT DIVISION
(305) 375-2966 FAX (305) 375-2908

PRODUCT CONTROL DIVISION
(305) 375-2902 FAX (305) 372-6339

PRODUCT CONTROL NOTICE OF ACCEPTANCE

Biscayne Awning Co.
611 N.W. 5 Street
Miami, FL 33128

Your application for Notice of Acceptance (NOA) of:

Canvas & Vinyl Awnings

under Chapter 8 of the Code of Miami-Dade County governing the use of Alternate Materials and Types of Construction, and completely described herein, has been recommended for acceptance by the Miami-Dade County Building Code Compliance Office (BCCO) under the conditions specified herein.

This NOA shall not be valid after the expiration date stated below. BCCO reserves the right to secure this product or material at any time from a jobsite or manufacturer's plant for quality control testing. If this product or material fails to perform in the approved manner, BCCO may revoke, modify, or suspend the use of such product or material immediately. BCCO reserves the right to revoke this approval, if it is determined by BCCO that this product or material fails to meet the requirements of the South Florida Building Code.

The expense of such testing will be incurred by the manufacturer.

ACCEPTANCE NO.: 01-0228.01
EXPIRES: 02/26/2006

Raul Rodriguez
Chief Product Control Division

THIS IS THE COVERSHEET, SEE ADDITIONAL PAGES FOR SPECIFIC AND GENERAL CONDITIONS

BUILDING CODE & PRODUCT REVIEW COMMITTEE

This application for Product Approval has been reviewed by the BCCO and approved by the Building Code and Product Review Committee to be used in Miami-Dade County, Florida under the conditions set forth above.

Francisco J. Quintana, R.A.
Director
Miami-Dade County
Building Code Compliance Office

APPROVED: 03/29/2001

Biscayne Awnings, Co.

ACCEPTANCE No. : 01-0228.01

APPROVED : 03/29/2001

EXPIRES : 02/26/2006

NOTICE OF ACCEPTANCE: SPECIFIC CONDITIONS

1. SCOPE

This renews the Notice of Acceptance, No. 97-1118.17, which was issued on February 26, 1998. It approves steel frames, designed to support fabric awnings, as described in Section 2 of this Notice of Acceptance, designed to comply with the South Florida Building Code, 1994 Edition for Miami-Dade County, for the locations where the pressure requirements, as determined by SFBC Chapter 23, do not exceed the Design Pressure Rating values indicated in the approved drawings.

2. PRODUCT DESCRIPTION

These steel frames, designed to support fabric awnings, and their components shall be constructed in strict compliance with the following documents: Drawing No. 1, 2, 2A, 3, 4, 5, & 6, titled "Fabric Awnings", prepared by Zvonimir T. Belfranin, P.E., dated March 31, 1995, last revision #2 dated November 27, 1995, 7 sheets, bearing the Miami-Dade County Product Control Approval and Renewal stamps with the Notice of Acceptance numbers and approval dates by the Miami-Dade County Product Control Division. These documents shall hereinafter be referred to as the approved drawings.

3. LIMITATIONS

All permanent set components, included but not limited to embedded anchor bolts, threaded cones, metal shields, must be protected against corrosion, contamination and damage at all times.

4. INSTALLATION

These steel frames, designed to support fabric awnings, and their components shall be installed in strict compliance with the approved drawings.

~~5. LABELING~~

~~Each awning structure shall bear a permanent label with the manufacturer's name or logo, city, state and the following statement: "Miami-Dade County Product Control Approved".~~

6. BUILDING PERMIT REQUIREMENTS

6.1 Application for building permit shall be accompanied by copies of the following:

6.1.1 This Notice of Acceptance.

6.1.2 Duplicate copies of the approved drawings, as identified in Section 2 of this Notice of Acceptance, clearly marked to show the components selected for the proposed installation.

6.1.3 Any other documents required by the Building Official or the South Florida Building Code (SFBC) in order to properly evaluate the installation of this system.



Helmy A. Makar, P.E. - Product Control Examiner
Product Control Division

Biscayne Awnings, Co.

AC No. : 01-0228.01


AP : 03/29/2001

EXPIRES : 02/26/2006

NOTICE OF ACCEPTANCE: STANDARD CONDITIONS

1. Renewal of this Acceptance (approval) shall be considered after a renewal application has been filed and the original submitted documents, including test-supporting data, engineering documents, are no older than eight (8) years.
2. Any and all approved products shall be permanently labeled with the manufacturer's name, city, state, and the following statement: "Miami-Dade County Product Control Approved", or as specifically stated in the specific conditions of this Acceptance.
3. Renewals of Acceptance will not be considered if:
 - a. There has been a change in the South Florida Building Code affecting the evaluation of this product and the product is not in compliance with the code changes.
 - b. The product is no longer the same product (identical) as the one originally approved.
 - c. If the Acceptance holder has not complied with all the requirements of this acceptance, including the correct installation of the product.
 - d. The engineer, who originally prepared, signed and sealed the required documentation initially submitted, is no longer practicing the engineering profession.
4. Any revision or change in the materials, use, and/or manufacture of the product or process shall automatically be cause for termination of this Acceptance, unless prior written approval has been requested (through the filing of a revision application with appropriate fee) and granted by this office.
5. Any of the following shall also be grounds for removal of this Acceptance:
 - a. Unsatisfactory performance of this product or process.
 - b. Misuse of this Acceptance as an endorsement of any product, for sales, advertising or any other purposes.
6. The Notice of Acceptance number preceded by the words Miami-Dade County, Florida, and followed by the expiration date may be displayed in advertising literature. If any portion of the Notice of Acceptance is displayed, then it shall be done in its entirety.
7. A copy of this Acceptance as well as approved drawings and other documents, where it applies, shall be provided to the user by the manufacturer or its distributors and shall be available for inspection at the job site at all time. The engineer needs not reseal the copies.
8. Failure to comply with any section of this Acceptance shall be cause for termination and removal of Acceptance.
9. This Notice of Acceptance consists of pages 1, 2 and this last page 3.

END OF THIS ACCEPTANCE



Helmy A. Makar, P.E.- Product Control Examiner
Product Control Division

BISCAYNE AWNING CO., INC
 Established 1924
 CC.# 387
 611 N.W. 5th Street
 Miami Florida., 33128
 Ph. 305-577-0042 Fax . 305- 577-0049

Metro Dade County Florida
 Metro -Dade Flagler Building
 Building Code Compliance Office
 Suite # 1603 Product Control Section
 Metro Dade Flagler Building
 140 West Flagler Street
 Miami Florida., 33130-1530

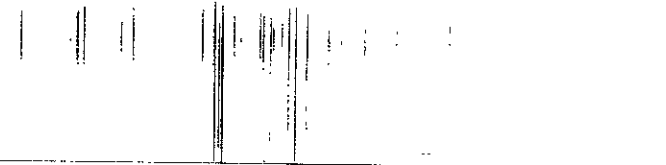
RE: FABRIC AWNINGS / PRODUCT CONTROL APPL. # 95-0713-01

Zvonimir T. Belfranin, P.E. Crl. # 33074
 Consulting Structural Engineer
 4836 South West 74th Court
 Miami Florida., 33155
 Ph. 669-0255

NOTES:

1. Frame shall be made of galvanized steel pipe sched 40.
 All pipes diameter to be nominal diameter as per AWS manual table 1-93.
2. All pipes welded to develop full tensile strength as per AWS specifications. All frames painted with anti-rust aluminium paint or optional color when specified.
3. Fabric shall be made for easy removal.
4. Fabric shall be laced to frame and attached to track when mounted to wall.
5. Fabrication shall be in accordance w/ chapters 43 and 44 of the So. Fla Building Code.
6. Wind design per ASCE 7- 93. Open building , exposure 'C'.
7. Cover shall be removed by customer when winds exceed 75 MPH.

Zvonimir T. Belfranin
 12-1-95



PRODUCT RENEWED

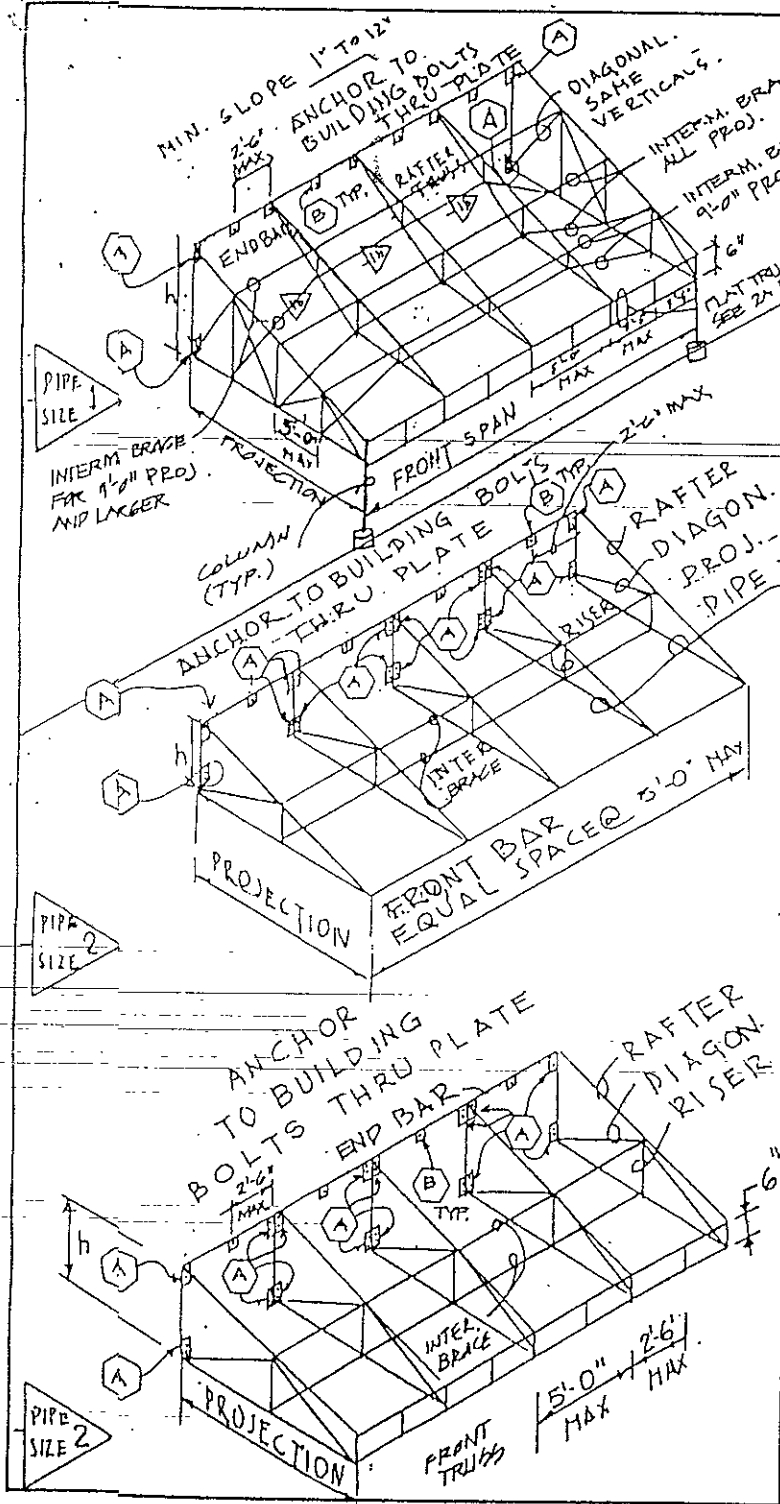
ACCEPTANCE No. 01-0228-01
 EXPIRATION DATE 02/26/2006
 By *Helmut A. Mehn*
 PRODUCT CONTROL DIVISION
 BUILDING CODE COMPLIANCE OFFICE

APPROVED AS COMPLYING WITH THE
 SOUTH FLORIDA BUILDING CODE
 DATE DECEMBER 28, 1995
 BY *[Signature]*
 PRODUCT CONTROL DIVISION
 BUILDING CODE COMPLIANCE OFFICE
 ACCEPTANCE No. 95-0713-01

PRODUCT RENEWED

ACCEPTANCE No. 97-1118-17
 EXPIRATION DATE FEB. 26, 2001
 By *Helmut A. Mehn*
 PRODUCT CONTROL DIVISION
 BUILDING CODE COMPLIANCE OFFICE

FABRIC AWNING		
SCALE: N.T.S	APPROVED BY: Zvonimir T. Belfranin, P.E. 4836 S.W. 74th Court, CEA 33074 MIAMI, FL 33155 Phone 669-0255 Fax 669-1637	DRAWN BY: J.P
DATE: 3-31-95		REVISION:
BISCAYNE AWNING Tel. (305) 577-0042 511-N.W. 5 STREET 33128 MIAMI, FL		
REV. (1) 10/31/95		DRAWING NUMBER: 1
REV. (2) 11/27/95		



PIPE SIZES | RAFTER - TRUSSES

RAFTER SPAN	5'-0"	9'-0"	12'-0"	16'-0"	18'-0"	20'-0"
TOP	3/4"	3/8"	1"	1 1/4"	1 1/4"	1 1/2"
BOTT	3/4"	3/4"	1"	1 1/4"	1 1/2"	2"
VERT.	1/2"	1/2"	1/2"	1/2"	3/4"	3/4"
INTERM BRACE END BAR	3/4"	1/4"	1/2"	2"	2"	2"

PIPE SIZES | END TRUSSES BY COLUMN

PROJ. SPAN	5'-0"	9'-0"	12'-0"	16'-0"	18'-0"	20'-0"	COLS
9'-0"	TOP 3/4"	3/4"	3/4"	3/4"	3/4"	1"	1" φ
	VERT. 1/2"	1/2"	1/2"	1/2"	1/2"	1/2"	
	BOT 3/4"	3/4"	3/4"	3/4"	3/4"	1"	
16'-0"	TOP 3/4"	3/4"	1"	1"	1 1/4"	1 1/4"	1/4" φ
	VERT. 1/2"	1/2"	3/4"	1"	1 1/4"	1 1/4"	
	BOT 3/4"	3/4"	1"	1"	1 1/4"	1 1/4"	
18'-0"	TOP 3/4"	1"	1"	1 1/4"	1 1/4"	1 1/2"	1/4" φ
	VERT. 1/2"	1/2"	3/4"	1"	1 1/4"	1 1/4"	
	BOT 3/4"	1"	1"	1 1/4"	1 1/4"	1 1/4"	
20'-0"	TOP 3/4"	1"	1"	1 1/4"	1 1/4"	1 1/2"	1/4" φ
	VERT. 1/2"	1/2"	3/4"	1"	1 1/4"	1 1/4"	
	BOT 3/4"	1"	1"	1 1/4"	1 1/4"	1 1/4"	
25'-0"	TOP 1"	1 1/4"	1 1/4"	1 1/4"	1 1/2"	1 1/2"	2" φ
	VERT. 1/2"	3/4"	1"	1"	1 1/4"	1 1/4"	
	BOT 1"	1 1/4"	1 1/4"	1 1/4"	1 1/2"	1 1/2"	
PET. "A"	3/8" φ	3/8" φ	5/8" φ	5/8" φ	5/8" φ	5/8" φ	
PET. "B"	5/8" φ	5/8" φ	5/8" φ	5/8" φ	5/8" φ	5/8" φ	

PIPE SIZES - 2

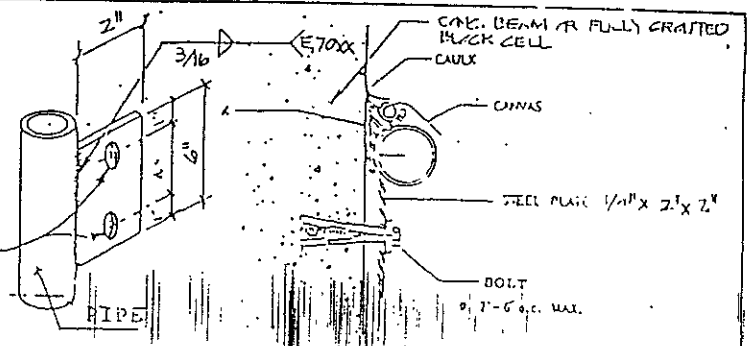
PROJECTION	5'-0"	7'-0"	10'-0"	15'-0"	20'-0"
RAFTER	3/4"	1 1/4"	1 1/2"	2 1/2"	3'-0"
FRONT TRUSS	3/4"	3/4"	3/4"	3/4"	3/4"
TOP BAR	3/4"	3/4"	3/4"	1"	1"
VERT. BAR	1/2"	1/2"	3/4"	3/4"	3/4"
BOT. BAR	3/4"	3/4"	3/4"	1"	1"
PROJECTION	3/4"	3/4"	1"	1 1/4"	1 1/2"
h (MIN)	7 1/2"	10 1/2"	1'-3"	1'-10 3/4"	3'-9"
INT. BRACE END BAR	3/4"	1"	1 1/2"	2"	2"
RISER AND DIAGONAL	3/4"	3/4"	1"	1 1/4"	1 1/2"
PET. "A"	3/8" φ	5/8" φ	5/8" φ	5/8" φ	5/8" φ
PET. "B"	5/8" φ	5/8" φ	5/8" φ	5/8" φ	5/8" φ

APPROVED AS COMPLYING WITH THE SOUTH FLORIDA BUILDING CODE.
 DATE DECEMBER 28 1995
 BY [Signature]
 PRODUCT CONTROL DIVISION
 BUILDING CODE COMPLIANCE OFFICE
 ACCEPTANCE NO. 95-0713.01

PRODUCT RENEWED
 ACCEPTANCE NO. 97-1118.17
 EXPIRATION DATE FEB. 26 2001
 BY [Signature]
 PRODUCT CONTROL DIVISION
 BUILDING CODE COMPLIANCE OFFICE

PRODUCT RENEWED
 ACCEPTANCE NO. 01-0228.01
 EXPIRATION DATE 02/26/2006
 BY [Signature]
 PRODUCT CONTROL DIVISION
 BUILDING CODE COMPLIANCE OFFICE

[Signature]
 12-1-95



DETAIL 'A' DETAIL 'B'

COVERS ARE LACED TO FRAME USING 1/8 NYLON ROPE THRU 1/2 SPUR GROMMETS NOT MORE 9" APART.

KWIK BOLT BY HULTI

SIZE	MINIMUM EMBEDMENT	REMARKS
3/8" φ	1 5/8"	
5/8" φ	2 3/4"	

- NOTES:
1. Frame shall be made of galvanized steel pipe sched 40.
 2. All pipes diameter to be nominal diameter as per AWS manual table 1-93.
 3. All pipes welded to develop full tensile strength as per AWS specifications. All frames painted with anti-rust aluminium paint or optional color when specified.
 4. Fabric shall be made for easy removal.
 5. Fabric shall be laced to frame and attached to track when mounted to wall.
 6. Fabrication shall be in accordance w/ chapters 43 and 44 of the So. Fla Building Code.
 7. Wind design per ASCE 7-93. Open building, exposure 'C'.
 8. Cover shall be removed by customer when winds exceed 75 MPH.

LEAN TO AWNING

SCALE: <u>N.T.S</u>	APPROVED BY: <u>Zvonimir T. Delichinski, P.E.</u> 4526 S.W. 34th Court, CEA 23016 Miami, FL 33135 Phone 459-0733, Fax 459-1671	DRAWN BY: <u>J.P</u>
DATE: <u>3-31-95</u>		REVISED:
BISCAYNE AWNING TEL. (305) 577-0042 511 N.W. 5 STREET 33128 MIAMI, FLA		
REV. (1) <u>10/31/95</u>		DRAWING NUMBER: <u>2</u>
REV. (2) <u>11/27/95</u>		

PIPE SIZES FLAT TRUSSES								
FRONT STAIN TRUSSES	PROJECTION	5'-0"	9'-0"	12'-0"	16'-0"	18'-0"	20'-0"	
		9'-0"	TAP	3/4"	3/4"	1"	1"	1"
	VERT.	3/4"	3/4"	3/4"	3/4"	3/4"	3/4"	
	BOTT.	3/4"	3/4"	1"	1"	1"	1"	
	16'-0"	TAP	1"	1/4"	1/4"	1/2"	1/2"	1/2"
	VERT.	3/4"	3/4"	3/4"	3/4"	3/4"	3/4"	
	BOTT.	1"	1/4"	1/4"	1/2"	1/2"	1/2"	
	18'-0"	TAP	1"	1/4"	1/2"	1/2"	2" φ	2" φ
	VERT.	3/4"	3/4"	3/4"	3/4"	3/4"	3/4"	
	BOTT.	1"	1/4"	1/2"	1/2"	2" φ	2" φ	
	20'-0"	TAP	1 1/4"	1/4"	1/2"	2"	2"	2"
	VERT.	3/4"	3/4"	3/4"	3/4"	3/4"	3/4"	
	BOTT.	1 1/4"	1/4"	1/2"	2"	2"	2"	
	25'-0"	TAP	1 1/4"	2"	2"	2 1/2"	2 1/2"	2 1/2"
	VERT.	3/4"	3/4"	3/4"	3/4"	3/4"	3/4"	
	BOTT.	1 1/4"	2"	2"	2 1/2"	2 1/2"	2 1/2"	

FOR PIPE SIZE 1
SEE DWG. #2

PRODUCT RENEWED

ACCEPTANCE No. 01-0228.01

EXPIRATION DATE 02/26/2000

By Helmy A. Mak
PRODUCT CONTROL DIVISION
BUILDING CODE COMPLIANCE OFFICE

APPROVED AS COMPLYING WITH THE
SOUTH FLORIDA BUILDING CODE
DATE DECEMBER 28 1995
BY [Signature]
PRODUCT CONTROL DIVISION
BUILDING CODE COMPLIANCE OFFICE
ACCEPTANCE NO. 95-0713.01

PRODUCT RENEWED

ACCEPTANCE No. 97-1118.17

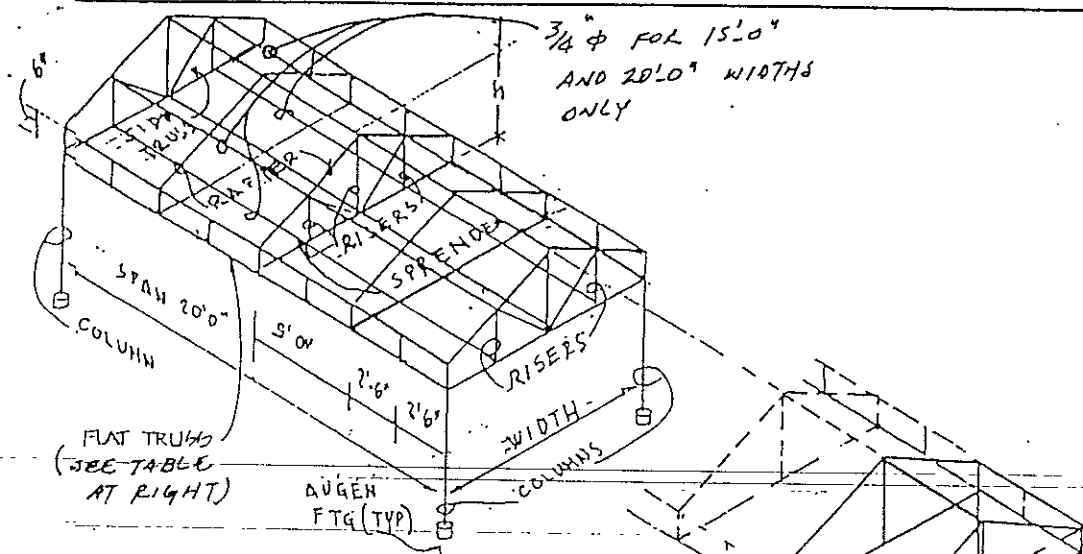
EXPIRATION DATE FEB 26 2001

By Helmy A. Mak
PRODUCT CONTROL DIVISION
BUILDING CODE COMPLIANCE OFFICE

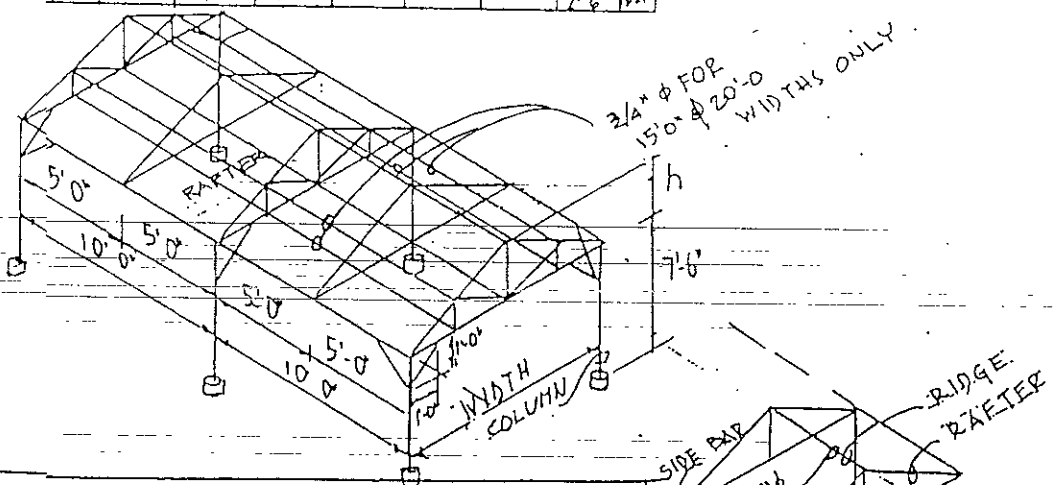
LEAN TO AWNING

SCALE: <u>N.T.S.</u>	APPROVED BY: <u>Evangelos T. Bellina P.E.</u> 2126 S.W. 71st Ave. CER 22074 Miami, FL 33155 Phone 439-0233 Fax 462-1077	DRAWN BY: <u>J.P.</u>
DATE: <u>11-27-95</u>		REVISION:
BISCAYNE AWNING Tel. (305) 577-0042 511 N.W. 5th STREET 33128 MIAMI, FLA.		
DRAWING NUMBER: <u>2A</u>		

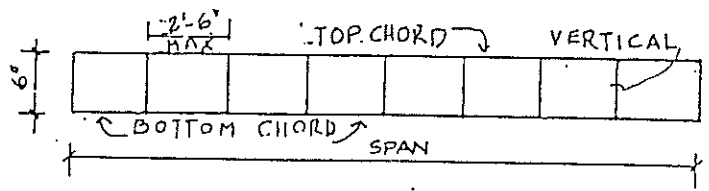
12-1-95



WIDTH	RIDGE	RAFTER	SPREAD	RISER	h	COLUMN	AUGER FOOTING
10'-0"	1 1/4"	1"	1"	3/4"	2'-0"	2 1/2"	2'-6" φ x 2'-6" DEEP
15'-0"	1 1/4"	1 1/4"	1 1/4"	1"	2'-9"	3"	3'-0" φ x 2'-6" DEEP
20'-0"	1 1/4"	1 1/2"	1 1/2"	1"	3'-3"	3"	3'-6" φ x 2'-6" DEEP



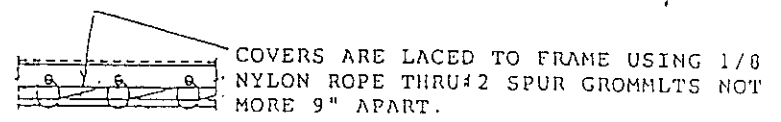
WIDTH	RIDGE	SIDE BAR	RAFTER	SPREAD	RISER	h	COLUMN	AUGER FOOTING
10'-0"	1 1/4"	3/4"	1"	1"	3/4"	1'-6"	2"	2'-0" φ x 2'-0" DEEP
15'-0"	1 1/4"	1"	1 1/4"	1 1/4"	1"	2'-3"	2 1/2"	2'-6" φ x 2'-6" DEEP
20'-0"	1 1/4"	1 1/4"	1 1/2"	1 1/2"	1"	2'-9"	2 1/2"	2'-6" φ x 2'-6" DEEP



FLAT TRUSS

FRONT TRUSS	WIDTH	10'-0"	15'-0"	20'-0"
D (INCHES) - 6"				
20'-0"	TOP CHORD	2"	2 1/2"	2 1/2"
	BOT. CHORD	2"	2 1/2"	2 1/2"
	VERTICAL	3/4"	3/4"	3/4"

PRODUCT RENEWED
 ACCEPTANCE No. 01-0228-01
 EXPIRATION DATE 02/26/2006
 By Heung A. Mak
 PRODUCT CONTROL DIVISION
 BUILDING CODE COMPLIANCE OFFICE



NOTES:

1. Frame shall be made of galvanized steel pipe sched 40. All pipes diameter to be nominal diameter as per AISC manual table 1-93.
2. All pipes welded to develop full tensile strength as per AWS specifications. All frames painted with anti-rust aluminum paint or optional color when specified.
3. Fabric shall be made for easy removal.
4. Fabric shall be laced to frame and attached to track when mounted to wall.
5. Fabrication shall be in accordance w/ chapters 43 and 44 of the So. Fla Building Code.
6. Wind design per ASCE 7-93. Open building, exposure 'C'.
7. Cover shall be removed by customer when winds exceed 75 MPH.

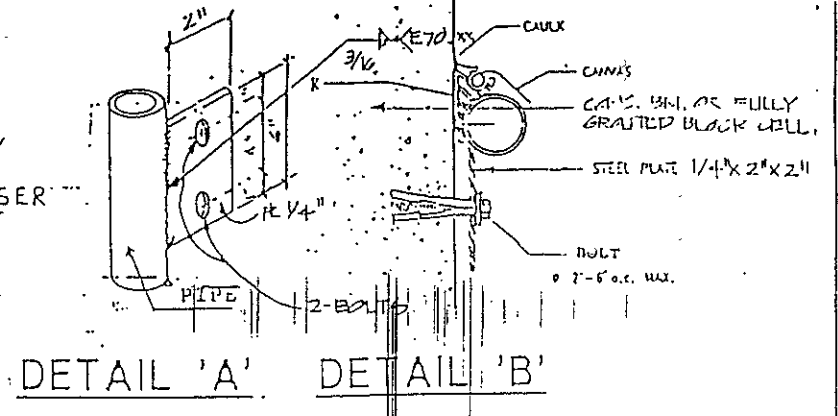
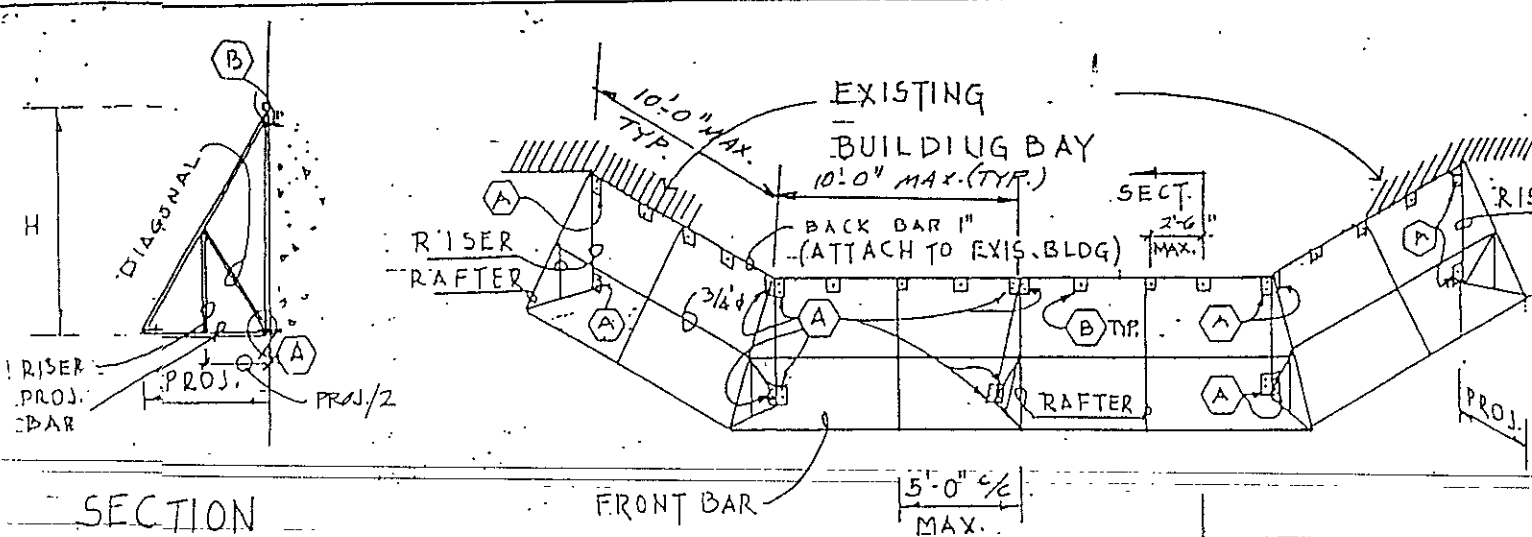
APPROVED AS COMPLYING WITH THE SOUTH FLORIDA BUILDING CODE
 DATE DECEMBER 28 1995
 BY [Signature]
 PRODUCT CONTROL DIVISION
 BUILDING CODE COMPLIANCE OFFICE
 ACCEPTANCE No. 95-0713.01

PRODUCT RENEWED
 ACCEPTANCE No. 97-1118.17
 EXPIRATION DATE FEB. 26 2001
 By Heung A. Mak
 PRODUCT CONTROL DIVISION
 BUILDING CODE COMPLIANCE OFFICE

12-1-95

CARPORT AWNINGS

SCALE: N.T.S.	APPROVED BY: Zvonimir T. Belizman P.E. 4836 S.W. 74th Court, CER 35072 Miami, FL 33157 Phone: 699-0215, Fax: 699-1673	DRAWN BY: JP
DATE: 3-31-95		REVISED:
BISCAYNE AWNING Tel. (305) 577-0092 611 N.W. 5 ST 33128 MIAMI, FLA		
REV. ① 10-31-95		DRAWING NUMBER: 3
REV. ② 11-27-95		



COVERS ARE LACED TO FRAME USING 1/8 NYLON ROPE THRU 2 SPUR GROMMETS NOT MORE 9" APART.

KWIK BOLT BY HILTI		
SIZE	MINIMUM EMBEDMENT	REMARKS
3/8" φ	1 5/8"	
5/8" φ	2 3/4"	

PIPE SIZES			
PROJECTION	3'-0"	8'-0"	10'-0"
RAFTERS	3/4"	1/4"	1/2"
FRONT	1"	1/2"	2"
INSIDE PL. @ 10'-0"	3/4"	3/4"	1"
h (MIN)	2'-0"	2'-6"	3'-0"
DIAGONAL	3/4"	1/4"	1/2"
RISE	3/4"	3/4"	1"
PET. "A"	3/8"	5/8"	5/8"
PET. "B"	3/8"	5/8"	5/8"

- NOTES:
1. Frame shall be made of galvanized steel pipe sched 40. All pipes diameter to be nominal diameter as per AWS manual table 1-93.
 2. All pipes welded to develop full tensile strength as per AWS specifications. All frames painted with anti-rust aluminium paint or optional color when specified.
 3. Fabric shall be made for easy removal.
 4. Fabric shall be laced to frame and attached to track when mounted to wall.
 5. Fabrication shall be in accordance w/ chapters 43 and 44 of the So. Fla Building Code.
 6. Wind design per ASCE 7-93. Open building, exposure 'C'.
 7. Cover shall be removed by customer when winds exceed 75 MPH.

APPROVED AS COMPLYING WITH THE SOUTH FLORIDA BUILDING CODE
 DATE DECEMBER 28 1995
 BY [Signature]
 PRODUCT CONTROL DIVISION
 BUILDING CODE COMPLIANCE OFFICE
 ACCEPTANCE NO. 95-0713.01

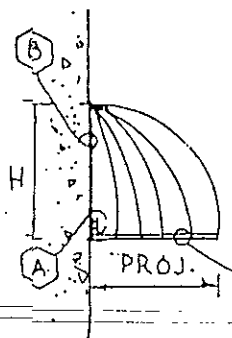
PRODUCT RENEWED
 ACCEPTANCE No. 01-0728.01
 EXPIRATION DATE 02/26/2006
 By Helmy A. Maher
 PRODUCT CONTROL DIVISION
 BUILDING CODE COMPLIANCE OFFICE

PRODUCT RENEWED
 ACCEPTANCE No. 97-1118.17
 EXPIRATION DATE FEB. 26, 2001
 By Helmy A. Maher
 PRODUCT CONTROL DIVISION
 BUILDING CODE COMPLIANCE OFFICE

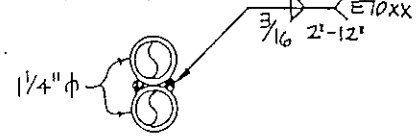
[Signature]
 12-1-95

THREE POINT AWNING		
SCALE: N.T.S	APPROVED BY: Zvonimir I. Belizina, P.E. 3726 S.W. 74th Ave. CEA 22014 Miami, FL 33155 Phone 662-0215 Fax 662-1071	DRAWN BY: J.P.
DATE: 3-31-95		REVISED:
BISCAYNE AWNING 611 N.W. 5 STREET 33128 MIAMI, FLA		
REV. (1) 10/21/95		DRAWING NUMBER: 4
REV. (2) 11/27/95		

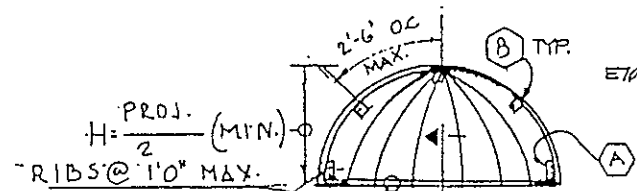
SIDE ELEVATION



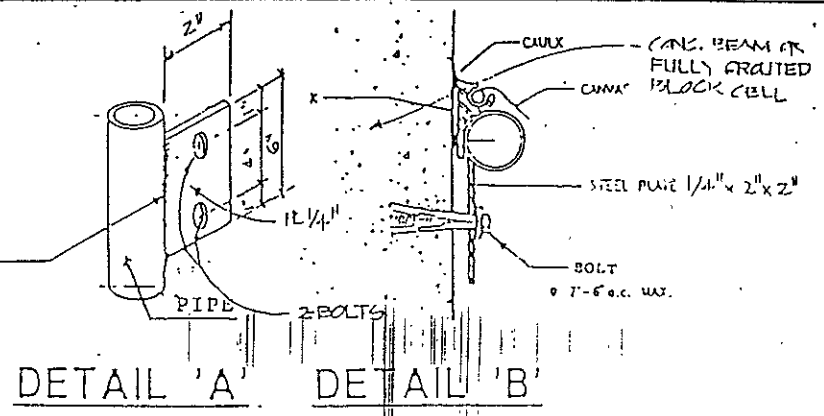
PIPE FRONT BAR
WELDED W/ 3/16" FILLET WELD 2" @ 12" O.C. FOR 6'-0" PROJECTION ONLY



SECTION I-I
6 FT. PROJECTION ONLY



PIPE SIZES			BOLTS SIZE	
PROJ.	RIBS	FRONT BAR	DET. "A"	DET. "B"
2'-0"	1/2"	1/2"	3/8" φ	3/8" φ
3'-0"	3/4"	3/4"	5/8" φ	5/8" φ
6'-0"	1"	1 1/4" / 1 1/4"	5/8" φ	5/8" φ



COVERS ARE LACED TO FRAME USING 1/8 NYLON ROPE THRU 42 SPUR GROMMETS NOT MORE 9" APART.

KWIK BOLT BY HILTI		
SIZE	MINIMUM EMBEDMENT	REMARKS
3/8" φ	1 5/8"	
5/8" φ	2 3/4"	

- NOTES:
1. Frame shall be made of galvanized steel pipe sched 40. All pipes diameter to be nominal diameter as per AISC manual table 1-93.
 2. All pipes welded to develop full tensile strength as per AWS specifications. All frames painted with anti-rust aluminium paint or optional color when specified.
 3. Fabric shall be made for easy removal.
 4. Fabric shall be laced to frame and attached to track when mounted to wall.
 5. Fabrication shall be in accordance w/ chapters 43 and 44 of the So. Fla Building Code.
 6. Wind design per ASCE 7-93. Open building, exposure 'C'.
 7. Cover shall be removed by customer when winds exceed 75 MPH.

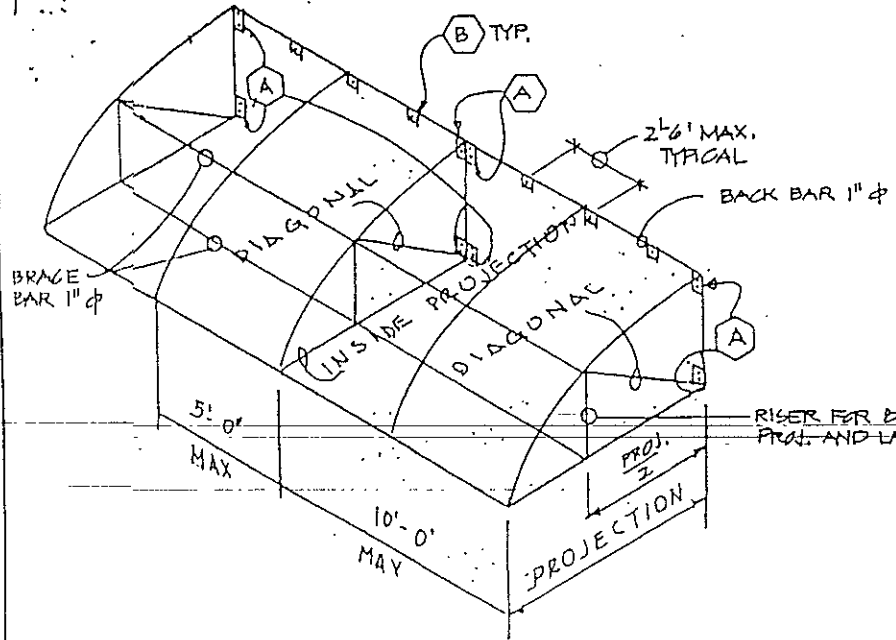
APPROVED AS COMPLYING WITH THE SOUTH FLORIDA BUILDING CODE
 ACCEPTANCE NO. 97-1118.17 DATE DECEMBER 28 1995
 EXPIRATION DATE FEB. 26 2001
 By *Helmut A. Mahr* PRODUCT CONTROL DIVISION BUILDING CODE COMPLIANCE OFFICE ACCEPTANCE NO. 95-0713.01

PRODUCT RENEWED
 ACCEPTANCE No. D1-0228-01
 EXPIRATION DATE 02/26/2006
 By *Helmut A. Mahr* PRODUCT CONTROL DIVISION BUILDING CODE COMPLIANCE OFFICE

12-1-95

QUARTER CIRCLE AWNINGS

SCALE: N.T.S.	APPROVED BY: <i>Zvonimir T. Beltram, P.E.</i> 2726 S.W. 74th Court, CEA 2001 Miami, FL 33155 Phone 697-0211 Fax 697-1671	DRAWN BY: J.P.
DATE: 3-31-95		REVISED:
BISCAYNE AWNING Tel. (205) 577-0042 611 N.W. 5 STREET, 33128 MIAMI, FLA		
REV. ① 10/31/95		DRAWING NUMBER: 5
REV. ② 11/27/95		



PRODUCT RENEWED

ACCEPTANCE No. 01-0228.01

EXPIRATION DATE 02/26/2006

By *William A. M...*
PRODUCT CONTROL DIVISION
BUILDING CODE COMPLIANCE OFFICE

PRODUCT RENEWED

ACCEPTANCE No. 97-1118.17

EXPIRATION DATE FEB. 26, 2001

By *William A. M...*
PRODUCT CONTROL DIVISION
BUILDING CODE COMPLIANCE OFFICE

APPROVED AS COMPLYING WITH THE

SOUTH FLORIDA BUILDING CODE

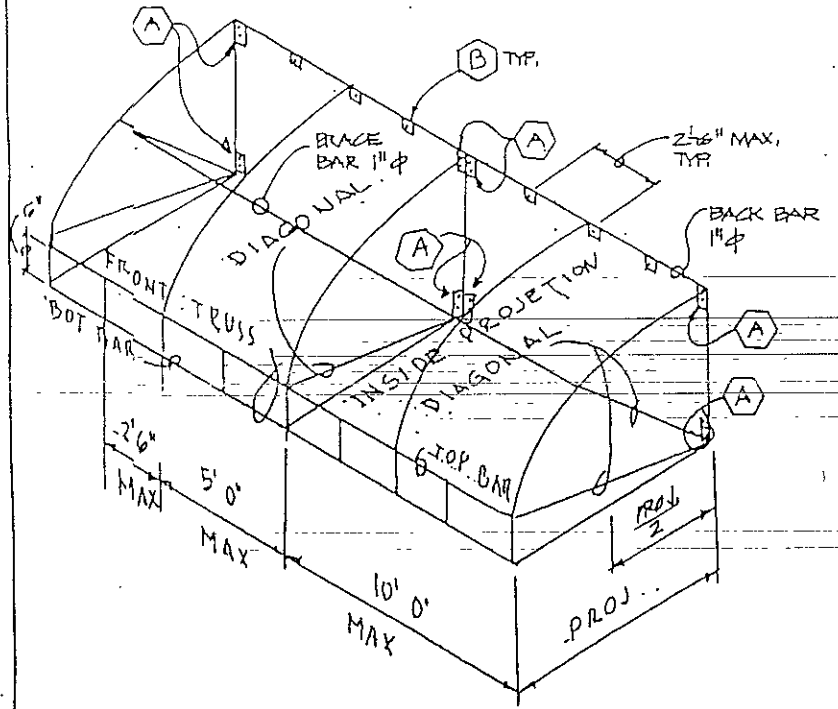
DATE DECEMBER 28, 1995

BY *[Signature]*

PRODUCT CONTROL DIVISION

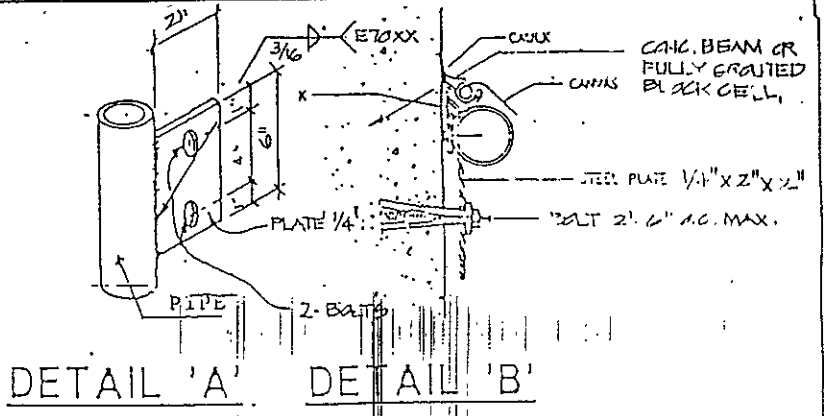
BUILDING CODE COMPLIANCE OFFICE

ACCEPTANCE NO. 95-0713.01



PIPE SIZES

PROJECTION	3'-0"	8'-0"	10'-0"
RAFTERS	3/4"	1 1/4"	1 1/2"
FRONT TRUSS	1"	1 1/2"	2"
FRONT BAR	1"	1 1/2"	2"
TOP BAR	3/4"	3/4"	1"
BOT. BAR	3/4"	3/4"	1"
VERT. BAR	1/2"	1/2"	1/2"
BOT. INSIDE PROJECTION	3/4"	3/4"	1"
DIAGONAL	3/4"	1 1/4"	1 1/2"
h	2'-0"	2'-6"	3'-6"
RISER	3/4"	3/4"	1"
DET. "A"	5/8"	5/8"	5/8"
DET. "B"	3/8"	5/8"	5/8"



COVERS ARE LACED TO FRAME USING 1/8 NYLON ROPE THRU 2 SPUR GROMMETS NOT MORE 9" APART.

KWIK BOLT BY HILTI

SIZE	MINIMUM EMBEDMENT	REMARKS
3/8" φ	1 5/8"	
5/8" φ	2 3/4"	

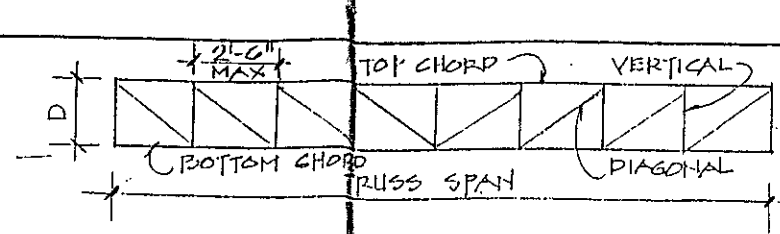
NOTES:

1. Frame shall be made of galvanized steel pipe sched 40. All pipes diameter to be nominal diameter as per AWS manual table 1-93.
2. All pipes welded to develop full tensile strength as per AWS specifications. All frames painted with anti-rust aluminum paint or optional color when specified.
3. Fabric shall be made for easy removal.
4. Fabric shall be laced to frame and attached to track when mounted to wall.
5. Fabrication shall be in accordance w/ chapters 43 and 44 of the So. Fla. Building Code.
6. Wind design per ASCE 7-93. Open building, exposure 'C'.
7. Cover shall be removed by customer when winds exceed 75 MPH.

[Signature]
12-1-95

QUARTER BARREL AWNINGS

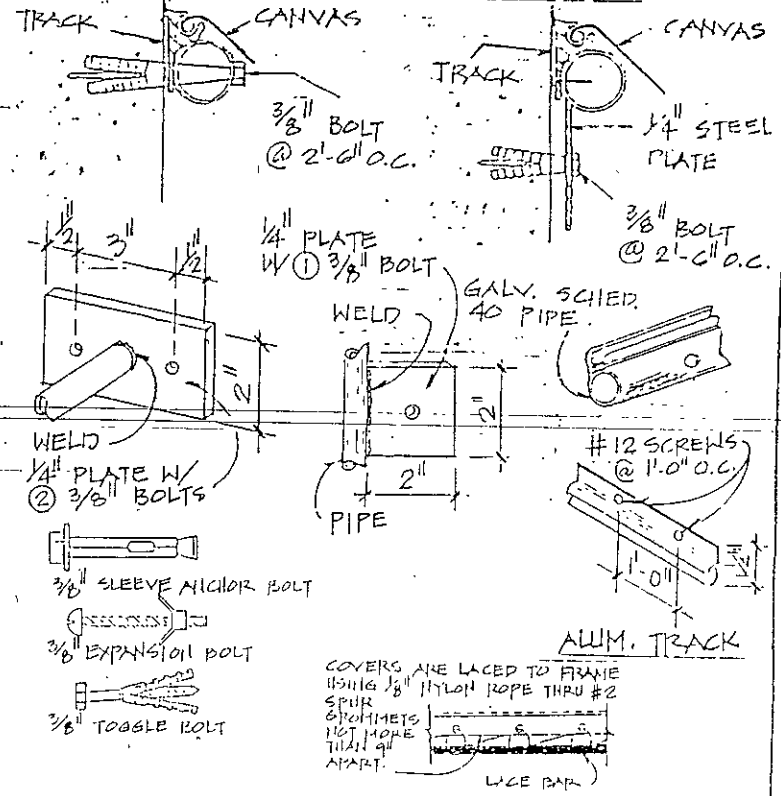
SCALE: N.T.S.	APPROVED BY: <i>[Signature]</i>	DRAWN BY: J.P.
DATE: 3-31-95	2234 S.W. 74th Court, CEA 33074 MIAMI, FL 33155 Phone 697-0733 Fax 697-1677	REVISED
BISCAYNE AWNING Tel. (305) 577-0042 611 N.W. 5 STREET 33128 MIAMI, FLA.		
REV. ① 10/31/95	REV. ② 11/27/95	DRAWING NUMBER 6



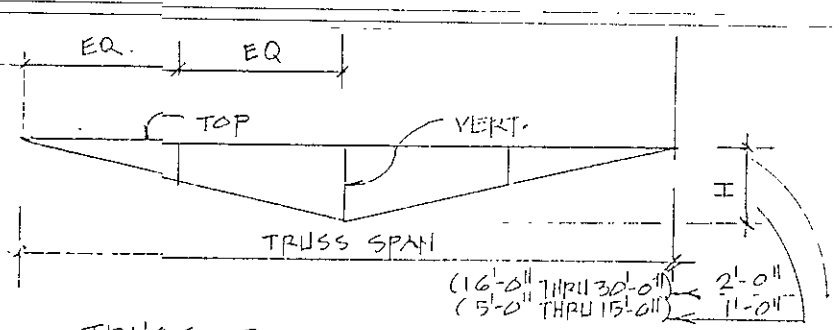
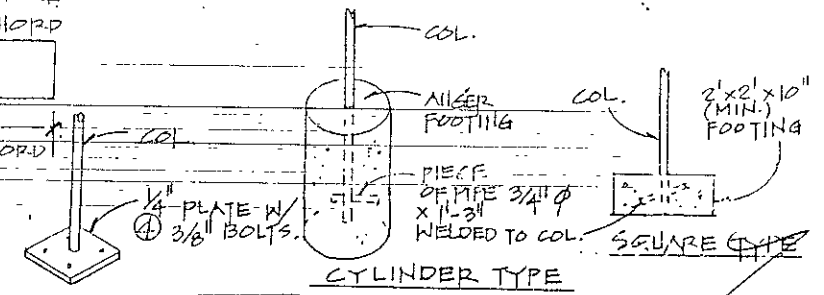
FLAT TRUSS W/DIAGONAL

PIPE SIZES		RAFTER SPAN					
FRONT TRUSS SPAN		12'-0"	16'-0"	18'-0"	20'-0"	25'-0"	
D (INCHES)		18	24	18	24	18	24
25'-0"	TOP CHORD	1 3/4	1 1/2	1 1/4	1 1/4	1 1/2	1 1/2
	BOT. CHORD	1 3/4	1 1/2	1 1/4	1 1/4	1 1/2	1 1/2
	DIAGONAL	3/4	3/4	3/4	3/4	3/4	3/4
30'-0"	TOP CHORD	1 1/2	1 1/4	1 1/4	1 1/2	1 1/2	1 1/2
	BOT. CHORD	1 1/2	1 1/4	1 1/4	1 1/2	1 1/2	1 1/2
	DIAGONAL	3/4	3/4	3/4	3/4	3/4	3/4
35'-0"	TOP CHORD	1 1/2	1 1/2	1 1/2	1 1/2	1 1/2	1 1/2
	BOT. CHORD	1 1/2	1 1/2	1 1/2	1 1/2	1 1/2	1 1/2
	DIAGONAL	3/4	3/4	3/4	3/4	3/4	3/4
40'-0"	TOP CHORD	1 1/2	1 1/2	1 1/2	1 1/2	1 1/2	1 1/2
	BOT. CHORD	1 1/2	1 1/2	1 1/2	1 1/2	1 1/2	1 1/2
	DIAGONAL	3/4	3/4	3/4	3/4	3/4	3/4
VERTICAL		3/4	3/4	3/4	3/4	3/4	3/4

TYPICAL ANCHORAGE DEVICES

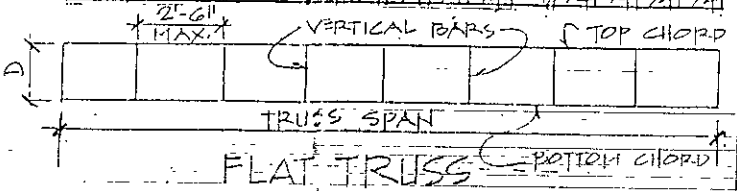


COLUMN BASES &/OR FOUNDATIONS



TRUSS RAFTER

PIPE SIZES		RAFTER SPAN					
FRONT TRUSS SPAN		10'-15"	14'-16"	17'-18"	19'-20"	21'-22"	22'-23"
D (INCHES)		18	24	18	24	18	24
TRUSS RAFTER	TOP	3/4	3/4	3/4	3/4	3/4	3/4
	BOT.	3/4	3/4	3/4	3/4	3/4	3/4
	VERT.	1/2	1/2	1/2	1/2	3/4	3/4



FLAT TRUSS

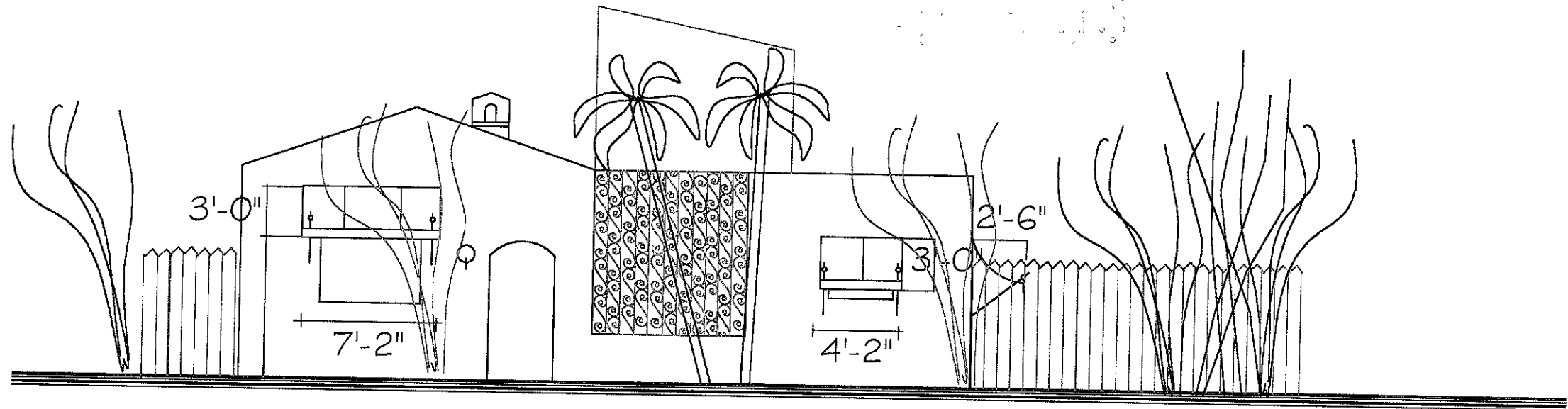
PIPE SIZES		RAFTER SPAN				
FRONT TRUSS SPAN		9'-0"	12'-0"	15'-0"	18'-0"	20'-0"
D (INCHES)		12	12	12	12	12
9'-0"	TOP CHORD	3/4	3/4	3/4	3/4	3/4
	BOT. CHORD	3/4	3/4	3/4	3/4	3/4
	VERTICAL	3/4	3/4	3/4	3/4	3/4
16'-0"	TOP CHORD	1	1	1 1/4	1 1/4	1 1/2
	BOT. CHORD	1	1	1 1/4	1 1/4	1 1/2
	VERTICAL	3/4	3/4	3/4	3/4	3/4
18'-0"	TOP CHORD	1	1 1/4	1 1/2	1 1/2	2
	BOT. CHORD	1	1 1/4	1 1/2	1 1/2	2
	VERTICAL	3/4	3/4	3/4	3/4	3/4

GENERAL NOTES.

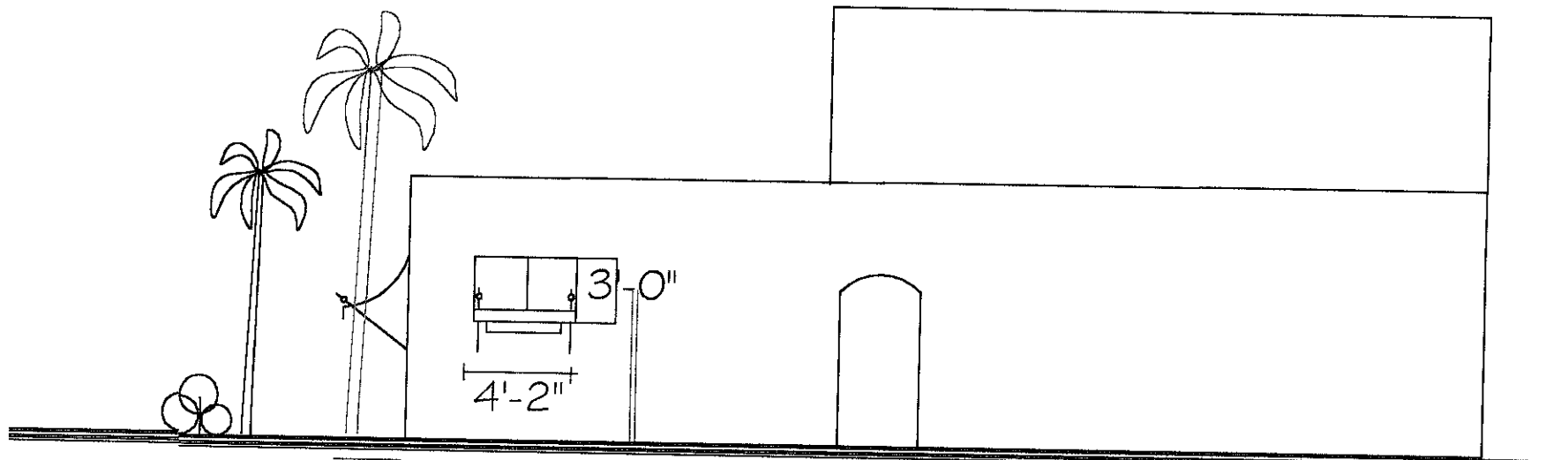
1. FRAME SHALL BE MADE OF GALVANIZED STEEL PIPE, SCHEDULE 40, ALL WELDED.
2. ALL CONNECTIONS WELDED COMPLETELY AROUND, CLEANED & GROUND SMOOTH, TREATED W/ANTI-RUST PRIMER.
3. FABRICATION SHALL BE IN ACCORDANCE W/CHAPTERS 43 & 44, SOUTH FLORIDA BUILDING CODE.
4. COVER SHALL BE REMOVED WHEN WINDS EXCEED 75 M.P.H.

TRUSS, CONNECTION DETAILS AND GENERAL NOTES.

SCALE: N.T.S.	APPROVED BY: ZYONIMIR T. BELFRANIN, P.E.	DRAWN BY: C. A.
DATE: 03-31-95		REWSED: C. P.
BISCAYNE AWNING COMPANY 611 N.W. 5 ST. MIAMI, FL. 33128		
FABRIC AWNING FRAMES	DRAWING NUMBER	1

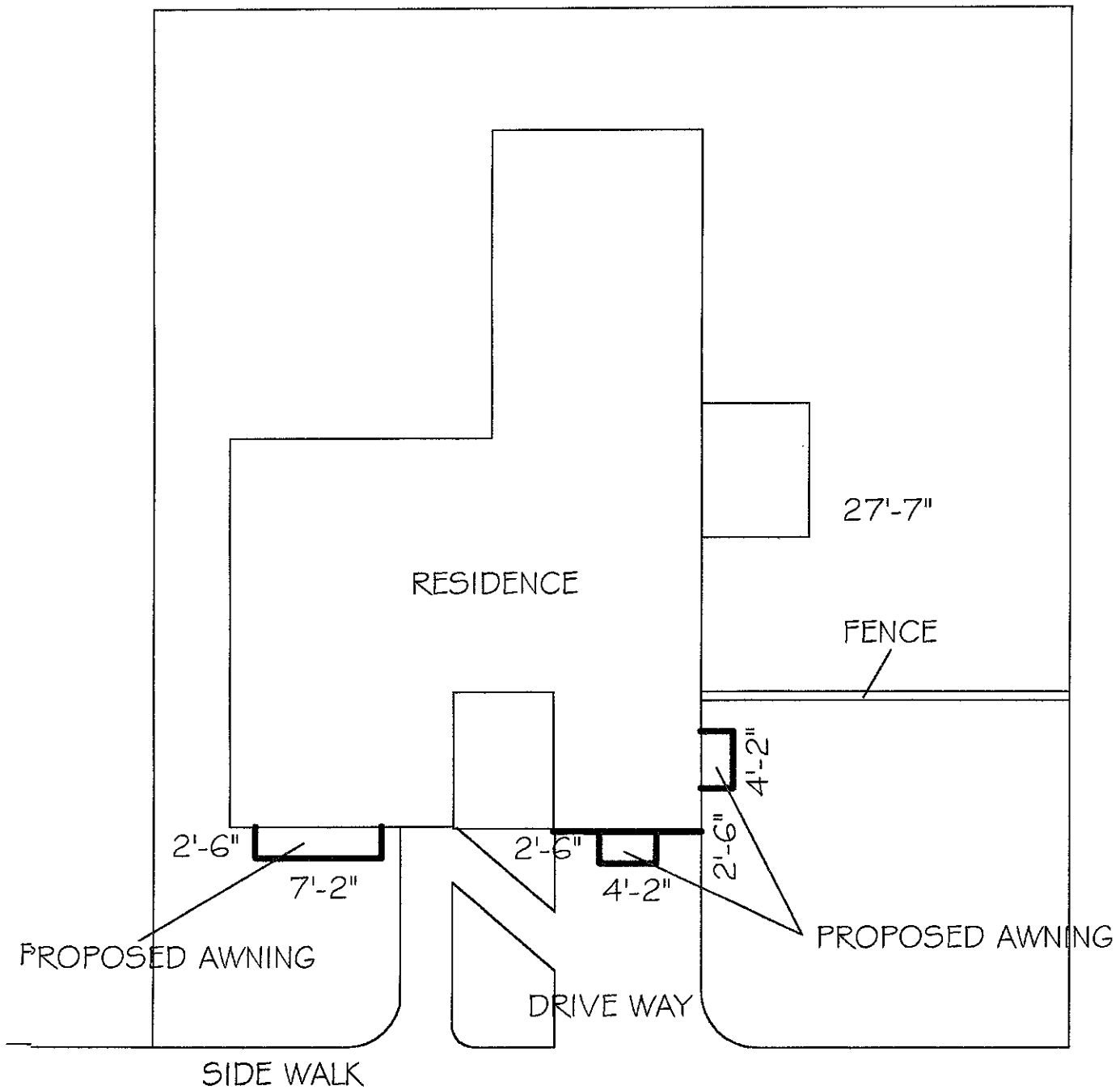


FRONT ELEVATION N.T.S.



SIDE ELEVATION N.T.S.

LUIS RANGEL 332 VIZCAYA AVENUE CORAL GABLES, FL			
Scale: N.T.S.	Approved By:	Date: 02/04/03	Drawn By: A. R.
			Plan Number
BISCAYNE AWNING & SHADE CO., INC. 611 N.W. 5TH STREET MIAMI, FL 33128			
Job:			
FRONT & SIDE OF HOUSE			



LUIS RANGEL 332 VIZCAYA AVENUE CORAL GABLES, FL			
Scale: N.T.S.	Approved By:	Date: 02/04/03	Drawn By: A. R.
BISCAYNE AWNING & SHADE CO., INC. 611 N.W. 5TH STREET MIAMI, FL 33128			Plan Number:
Job:			FRONT & SIDE OF HOUSE

B.O.A. #

C-125160

Applic. #

0304061

Job

AUNING CS

Description: 3 DZK. BLUE

PERMIT NO. 0304092

ADDRESS: 322 VISCARA

CITY OF CORAL GABLES
BUILDING DEPARTMENT

SECTION	BY	DATE
HISTORICAL		
BOARD OF ARCH.	[Signature]	4-3-03
BOARD OF ARCH.	[Signature]	4-03-03
ZONING	[Signature]	4/4/03
ELECTRICAL		
MECHANICAL		
PLUMBING		
STRUCTURAL		
FIRE		
FEMA		
PUBLIC WORKS		
BUILDING OFFICIAL	[Signature]	4/4/03

1. Subject to compliance with all Federal, State, County and City rules and regulations. City assumes no responsibility for accuracy of or results from these plans.

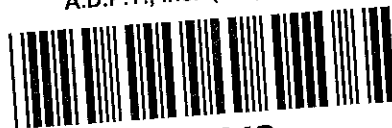
Plans must be available on building site at all times and be available for public inspection.

APPROVAL OF THESE PLANS DOES NOT CONSTITUTE A GUARANTEE OF ANY STRUCTURE OR CONDITION NOT IN COMPLIANCE WITH CODE.

OFFICE SET

20001

A.D.P.T., Inc. (305) 254-7658



549643

AC008