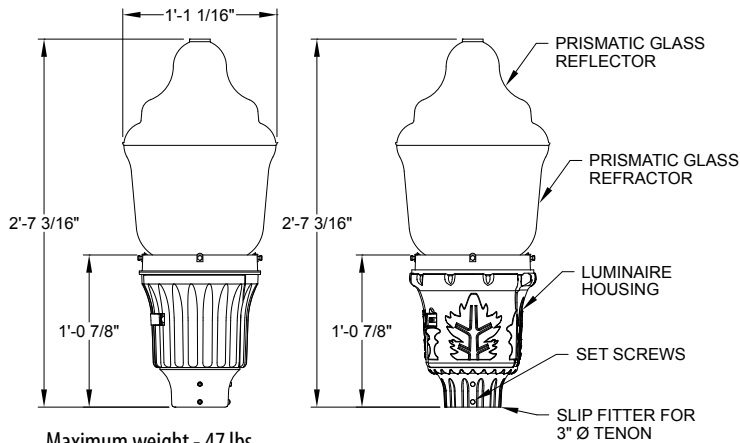




Catalog Number GVD3 P30 50K MVOLT MS GL3 BK ST TBK FC	
Notes	Type



* Shown with MS Housing



Maximum weight - 47 lbs
Maximum effective projected area - 1.38 sq. ft.

GVD3
Granville Classic Utility LED3



SPECIFICATIONS

General Description

The Granville Classic Utility LED3 is designed for ease of maintenance with the plug-in electrical module common to each of the luminaires in Holophane's Utility Luminaire Series. The traditional acorn-shaped luminaire, while reminiscent of the 1920's, contains a powerful, stalk-mounted Chip-On-Board LED platform with a precision optical system that maximizes post spacings while maintaining uniform illumination.

Mechanical Specifications

The luminaire housing shall:

- Be heavy grade A360 cast aluminum (aluminum with <1% copper)
- IP55 rated housing provides tool-less access with a spring-loaded latch
- Incorporate a hidden hinge door allowing the door to swing open and remain open
- Offer units with an EEI- NEMA twist lock photocontrol receptacle, the housing contains a tempered glass window to allow light to reach the cell
- Mount to slip-fitter that will accept 3" high by 2-7/8" to 3-1/8" O.D. pole tenon
- Provide four uniquely designed stainless steel spring clips, enclosed in a clear polyvinyl chloride sleeve and adjusted by 1/4-20 hex-head bolts that securely cradle the prismatic glass refractor. The same 1/4-20 bolts also support the decorative rib and banding assembly.

The finish shall:

- Utilize a polyester power coat paint to ensure maximum durability
- Rigorous multi-stage pre-treating and painting process yields a finish that achieves a scribe creepage rating of 8 (per ASTM D1654) after over 5000 hours exposure to salt fog chamber (operated per ASTM B117) on standard and RAL finish options.
- RAL (RALxxxxSDCR) paint colors are Super Durable Corrosion Resistant, 80% gloss.

Electrical Specifications

The driver shall meet the following requirements:

- Certified by UL or CSA for wet locations
- A factory programmable electronic driver with 0-10V dimming control leads
- LEDs shall have a minimum of 70 CRI and available in 2700K, 3000K, 4000K, and 5000K CCT
- The electrical system shall be designed to meet ANSI/IEEE C62.41.2 and shall offer a 10kV/5kA surge protection, fail off, as standard with an upgradable 20kV/10kA surge protection, fail off with indicator light, option
- Lumen output can be customized prior to manufacturing by way of FPDxx Options
- The electrical components are mounted on an aluminum plate that is removeable with minimum use of tools. A matching five conductor plug connects to the receptacle in the luminaire housing to complete the wiring. For photoelectric operation, the electrical module is provided with an EEI-NEMA twist-lock photocell receptacle.

Optical Specifications

The optical system is IP66 rated and consists of a precisely molded thermal resistant borosilicate glass refractor and top reflector mounted within the decorative glass optic. The top reflector redirects over 50% of the upward light into the controlling refractor while allowing a soft up-light component to define the traditional acorn shape of the luminaire. The lower refractor uses precisely molded prisms to maximize the pole spacings while maintaining uniform illumination. Two refractors are available, designed for IES type III and V distributions. Lunar Optics shielding is available for asymmetric and symmetric distributions.

Control Options

The control options shall include, but not limited to, the following:

- Field adjustable output to adjust output to luminaire - AO
- Long life photocontrol, 20 years - PCLL, P34 and P48 with DTL
- 7 pin receptacles internally in housing (PR7) or inside glass mounted (PR7E - not for use with photocontrols & nodes must have photocontrol disabled)
- nLight Air rSBOR6 outdoor fixture-mounted motion and photo-sensor, features a dual radio to communicate wirelessly to other nLight Air devices for group response to motion, on/off control in response to daylight and by switch - RSBOR6
- Fixture embedded nLight Air network interface for individual fixture control and dimming - NLTAIR2.

Certification and Standards

- Luminaire shall be UL or CSA listed.
- Suitable for operation in an ambient temperature up to 40°C / 105°F per UL or CSA certification
- LM79 compliant
- DesignLights Consortium® (DLC) Premium qualified product and DLC qualified product. Not all versions of this product may be DLC Premium qualified or DLC qualified. Please check with the DLC Qualified Products List at www.designlights.org/QPL to confirm which versions are qualified.

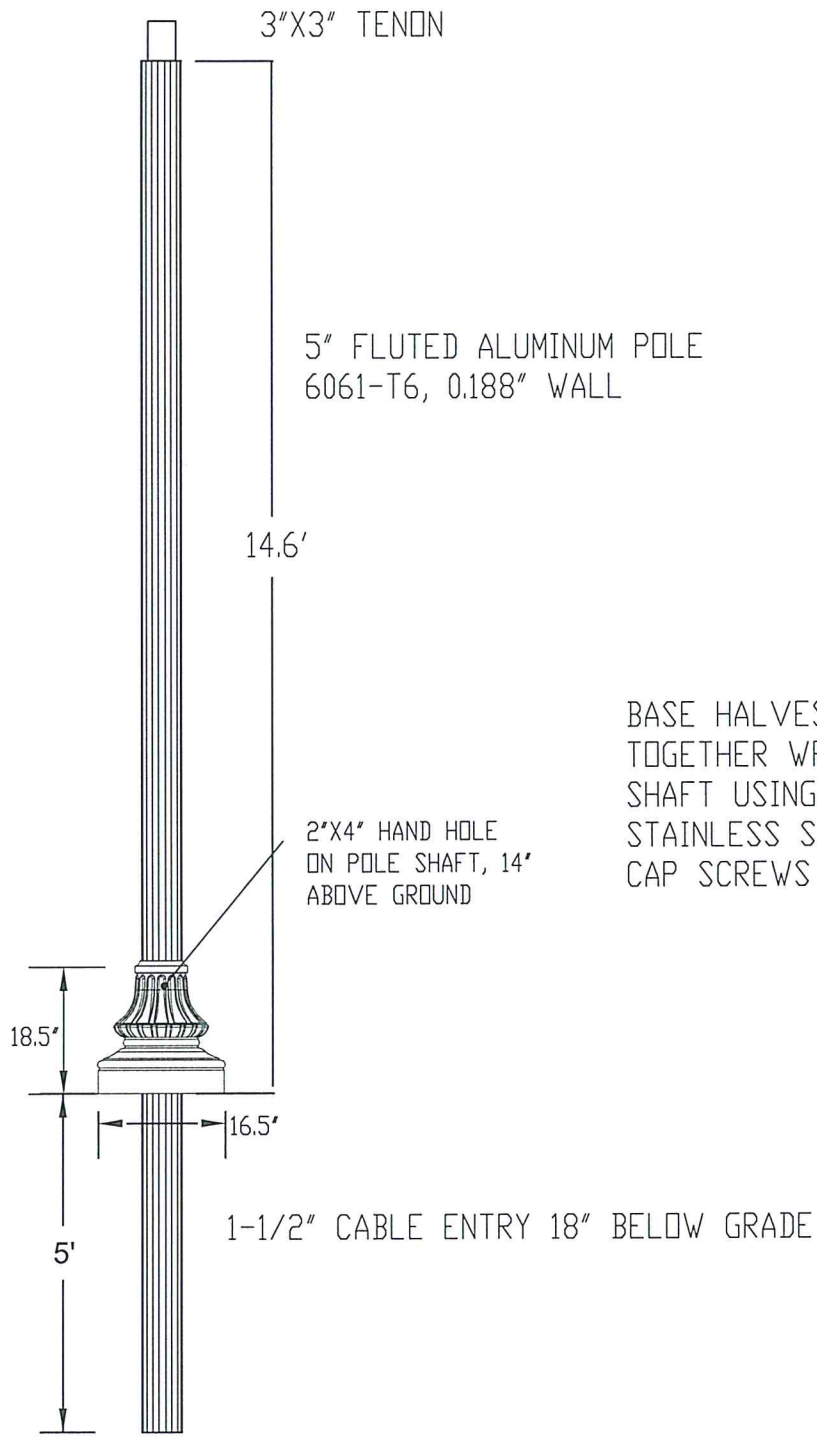
Government Procurement

BAA - Buy America(n) Act: Product qualifies as a domestic end product under the Buy American Act as implemented in the FAR and DFARS. Product also qualifies as manufactured in the United States under DOT Buy America regulations.
BABA - Build America Buy America: Product qualifies as produced in the United States under the definitions of the Build America, Buy America Act.
Please refer to www.acuitybrands.com/resources/buy-american for additional information.

Warranty

5-year limited warranty. This is the only warranty provided and no other statements in this specification sheet create any warranty of any kind. All other express and implied warranties are disclaimed. Complete warranty terms located at: www.acuitybrands.com/support/warranty/terms-and-conditions

Note: Actual performance may differ as a result of end-user environment and application. All values are design or typical values, measured under laboratory conditions at 25 °C. Specifications subject to change without notice.



		DIMENSIONS ARE IN INCHES TOLERANCES: FRACTIONAL ± ANGULAR: MACH ± BEND ± TWO PLACE DECIMAL ± THREE PLACE DECIMAL ±		NAME	DATE	699 W. 17 STREET HIALEAH, FL 33010 ARTEC (305)888-4375 FAX (305)888-4374 MANUFACTURING ARTEC@ARTECMANUFACTURING.COM	
		MATERIAL Aluminum		DRAWN	RB	06/21/2024	14.6' ABOVE GROUND ROUND STRAIGHT FLUTED ALUMINUM POLE DIRECT BURIED CAT# ARST-F-DB-05-19.6/14.6-B-T3-CB-BK WITH DECORATIVE BASE BC-104-1618-2PC
		FINISH Powder Coated Paint		CHECKED			
NEXT ASSY		USED ON		ENG APPR.			
APPLICATION		BLACK		MFG APPR.			
PROPRIETARY AND CONFIDENTIAL THE INFORMATION CONTAINED IN THIS DRAWING IS THE SOLE PROPERTY OF ARTEC MANUFACTURING ANY REPRODUCTION IN PART OR AS A WHOLE WITHOUT THE WRITTEN PERMISSION OF ARTEC MANUFACTURING IS PROHIBITED				COMMENTS:		SIZE	DWG. NO.
						A	REV.
						SCALE: NTS	SHEET 1 OF 1