



CASCADE PUMP COMPANY
MANUFACTURERS OF AXIAL &
MIXED FLOW PUMPING EQUIPMENT

10107 SOUTH NORWALK BOULEVARD, PO BOX 2767
SANTA FE SPRINGS, CA 90670-0767
P: 562.946.1414 F: 562.941.3730

January 29, 2021

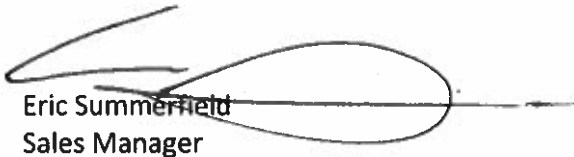
Barney's Pumps, Inc.

Subject: Authorized Municipal Distributor and Repair Center

To Whom it May Concern,

This letter confirms to all parties that Barney's Pumps, Inc. in Lakeland, Florida is our authorized distributor in Florida for new sales and rehabilitation or replacement of existing Cascade Pump Company manufactured equipment for municipal markets.

Sincerely,

A handwritten signature in black ink, appearing to read "Eric Summerfield". The signature is written over a horizontal line that extends to the right. Below the signature, the name and title are printed.
Eric Summerfield
Sales Manager

QUOTATION NUMBER
24-21-0209

BARNEY'S PUMPS INC.

12080 NW 40th Street, Coral Springs, FL 33065-7602
Broward (954) 346-0669
Fax (954) 346-0993



Page 1 of 4

DATE: 24 Feb 2021

TO: Jose Saucedo
City of Coral Gables
305-460-5054 office
jsaucedo@coralgables.com

FOR SHIPMENT TO:
BPI Lakeland

PROJECT: Replacement Cascade 14AP pumps

<u>Delivery</u> 16-18 weeks after approval. 4-5 weeks for submittals.	<u>Via</u> Bestway	<u>From</u> Barney's Pumps	<u>F.O.B.</u> Barney's Pumps	<u>Terms</u> net 30 with approved credit
--	-----------------------	-------------------------------	---------------------------------	---

ITEM	QTY	DESCRIPTION	PRICE EACH	EXT PRICE
A	2	<p>DUPLICATE OF SO15561 AND SO14571</p> <p>Rated Condition: 5,000 GPM at 12 feet total dynamic head (bowl).</p> <p>Pump: 14AP axial flow, 1 stage, 16" diameter above baseplate flanged discharge, oil lubrication, 1190 RPM, bowl efficiency 77%, brake horsepower 19.9, 10' - 6" from baseplate to bottom of suction bell, weight 1500lbs., catalog curve AP1406.</p> <p>Motor: 20 Horsepower, 1200 RPM, vertical hollow shaft, WP-1 enclosure, 230/460 volts, 3 phase, 60 Hertz, 1.15 service factor, 40o C ambient, class F insulation with class B rise, premium efficiency.</p>	\$34,517	\$69,034
B	1	<p>Removal of old and installation of new pumps. Includes standard start-up services.</p> <p>Manufacture lead-time is estimated and is subject to availability of materials. Price is firm for shipment no later than June 14, 2021. Shipment after that date will be subject to price in effect. Pump price includes engineering drawings, O & M Manuals, discharge flange, coupling guards and black enamel paint.</p> <p>Comments:</p> <ol style="list-style-type: none"> 1. Controls, lubricants, etc. not included. 2. Delivery terms are F.O.B. Shipping Point. Freight charges are included. <p>Delivery is F.O.B. Barney's Pumps. Start-up and training services are NOT included. Taxes, anchor bolts, piping, field wiring, etc. are not included. <i>If shop drawings are required for approval, please request them from our office.</i></p>	\$6,100	\$6,100
			\$	75,134

Prices quoted are firm for 30 days (unless otherwise noted), then subject to adjustment to agree with prices at time of shipment and subject to any tax required by law. This quotation is subject to Barney's Pumps standard terms of sale and warranty. All terms and conditions of Barney's Pumps Terms of Sale & Warranty are incorporated herein by this reference as if fully set forth herein. Taxes, anchor bolts, piping, field wiring, etc. are not included. Start-up and training services are NOT included. If shop drawings are required for approval, please request them from our office.

BARNEY'S PUMPS INC.

Barry Griffin

Authorized Signature

SUBTOTAL + 10% CONTINGENCY = TOTAL
\$ 75,134 + 7,513.4 = \$ 82,647.40



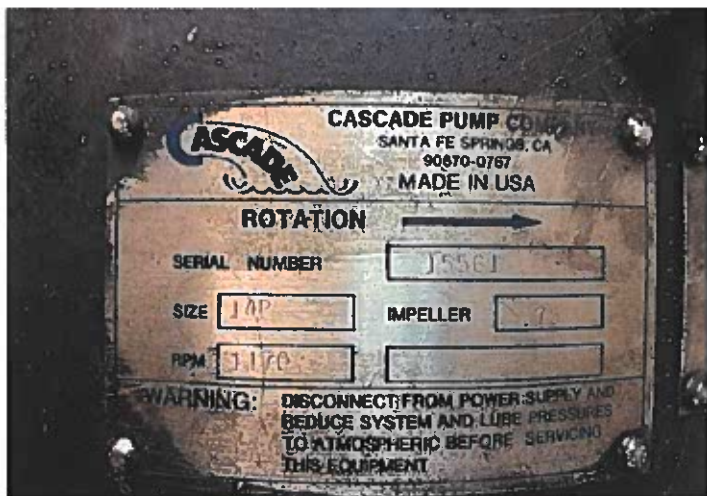
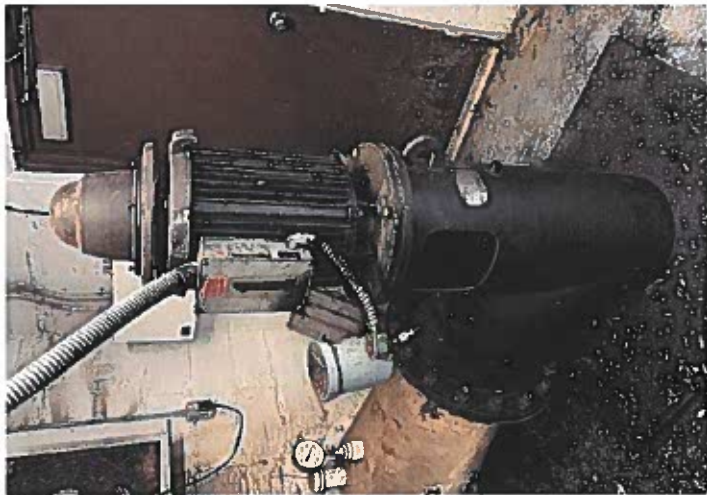
Barney's Pumps Terms of Sale & Warranty

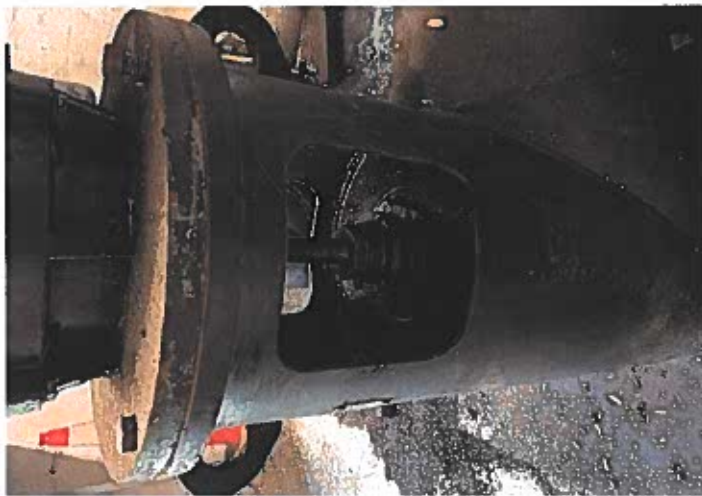
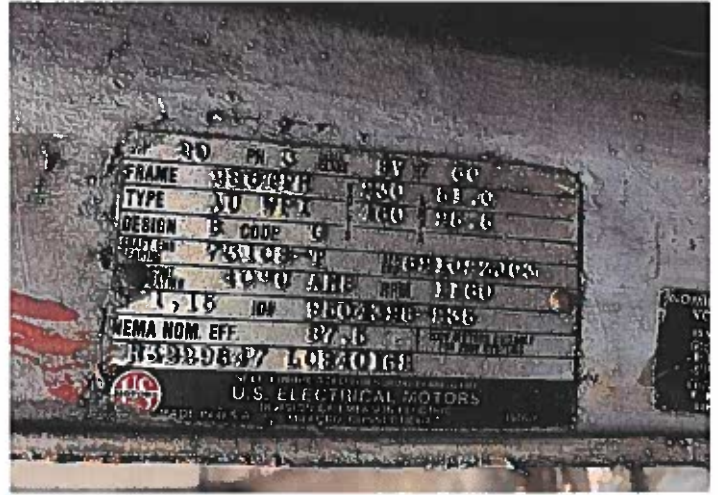
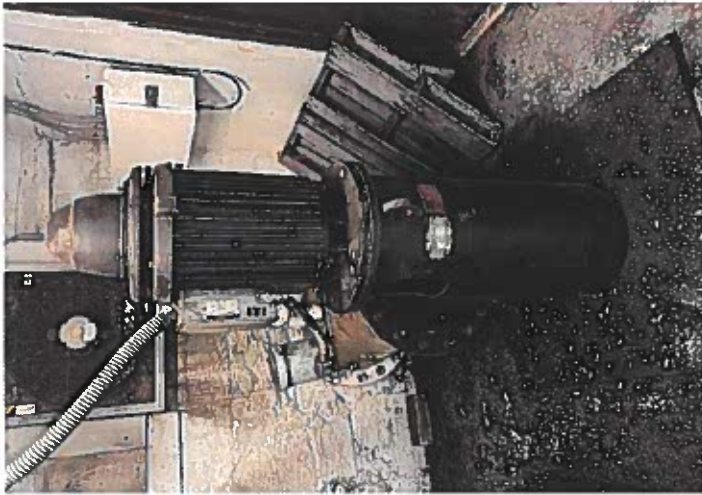
1. This document is fully incorporated in the Credit Agreement (the "Agreement") signed by Customer, and is a binding contract between Barney's Pumps, Inc. ("Barney's Pumps") and the Customer executing the Credit Agreement which shall apply to all purchases by the above referenced Customer or its agents after the date of the Agreement. This document is also fully incorporated into any quote or invoice it is sent with or attached to. **Barney's Pumps expressly conditions its acceptance of any offer or purchase order from Customer on Customer's acceptance of only these Terms of Sale & Warranty expressly provided herein, and Customer agrees that any additional or different terms and conditions that may be attempted or purported to be imposed by the Customer on Barney's Pumps shall not apply to any transaction between Barney's Pumps and the Customer. Customer agrees and acknowledges that Barney's Pumps is unwilling to conduct business at all with Customer except for Customer's agreement to only these Terms of Sale & Warranty contained herein and nothing else unless such additional or different terms are agreed to in a subsequent writing by Barney's Pumps.**
2. Quoted prices do not include any taxes and are valid for thirty (30) days from the date of Barney's Pumps' proposal unless otherwise noted on the proposal. If the proposal is not unconditionally accepted, in writing, within that timeframe, Barney's Pumps may modify pricing.
3. Customer's payment terms are net 30 days from invoice date unless Barney's Pumps states other payment terms in writing signed by Barney's Pumps. The Customer shall pay a finance charge of 18% per annum, or the highest rate permitted by law, whichever is lower, on all delinquent accounts. If it becomes necessary for us to employ an attorney or to bring suit to recover any amount, the Purchaser agrees to pay all of our court costs, legal expenses, and reasonable attorney's fees in connection therewith. These remedies are not in lieu of any other remedies so provided by applicable law. The Customer agrees that any credit extended by Barney's Pumps is for business purposes only, and not for personal, family, or household purposes.
4. Shipping and shop drawing production schedules are estimates based on current market conditions; they are subject to revision. We will not be liable or responsible for any delays caused by late shipment to us, or by any other matters beyond our control (Force Majeure) either in whole or in part. The Customer hereby releases Barney's Pumps for all damages for delays caused, whether in whole or in part, by third parties. Customer agrees that if a third party caused or contributed to any delay, Customer releases Barney's Pumps completely for any damages caused by that delay, including any liquidated damages. Barney's Pumps shall only be liable for liquidated damages if Barney's agrees to such in writing.
5. If requested, shop drawings will be provided for submittal, review and approval to ensure that you, our customer, can be sure that Barney's Pumps has the correct perception of what you require. Any order where shop drawings are provided is contingent upon the approval of those shop drawings that, when approved, shall become the only specifications for the materials, goods, and/or services you wish to purchase. Barney's Pumps cannot and does not warrant, guarantee or represent that materials/goods/services are suitable for any particular purpose nor does Barney's Pumps warrant, guarantee or represent that the materials/goods/services will be or have been approved for use by any other party. The customer is not authorized to rely on any warranty or representation by Barney's Pumps not contained in this document or otherwise provided in writing, and any reliance on anything else shall be deemed unreasonable by the Customer.
6. Purchaser must inspect all materials/goods for damage or shortage at the time of delivery. Claims for non-conforming materials/goods, whether for damage, shortage or otherwise, must be given in writing at the time of delivery to the carrier, and we must be notified in writing of any such claim within five (5) days of the date of delivery. If Customer does not provide written notice of any issue with the materials/goods delivered within five (5) days after the date of delivery, then Customer shall be conclusively deemed to have accepted the materials/goods, and waives any right to complain regarding the quality of the materials/goods and any defects or non-conformance, whether patent or latent. Once the materials and/or goods are accepted, the Customer waives any right to revoke acceptance, whether in whole or in part. These waivers will be enforceable despite any contrary course of performance or course of dealing between the parties hereto. After the five (5) day period mentioned above, materials/goods may not be returned to Barney's Pumps without its written consent and will be subject to a restocking charge plus any freight costs involved.
7. For Specially Manufactured Goods: If Customer orders any goods that must be specially manufactured under specific specifications from the Customer, then the Customer shall not have the ability to cancel any order for such specially manufactured goods once production starts on the goods. Once procurement or production starts on said goods, Customer shall be fully liable for the purchase price of said goods, unless Barney's Pumps agrees otherwise in writing. Customer agrees that any cancellation of production or manufacturing of the specially manufactured goods may result in a cancellation fee to Barney's Pumps, which shall be borne solely by Customer. However, the express warranties below shall still apply to the goods if completed goods are delivered to and accepted by Customer.
8. With respect to materials/goods manufactured by Barney's Pumps, including Unitron Controls® and/or Sci-Text® control panels, we warrant said materials/goods only if the Customer is the original purchaser, and only against

defects in workmanship and material, subject to the limitations described below. The warranty period shall be the lesser of one year from startup or eighteen (18) months from date of shipment. It is the original purchaser's responsibility to ensure that the equipment is properly lubricated and that electrical components used in the control panels are free from rust and operate properly prior to start-up. This warranty does not apply to damage resulting from accident, alteration, misuse or abuse. We warrant to the original purchaser that any part which proves to be defective in material or workmanship will be repaired or replaced at no charge with a new or remanufactured part, F.O.B. Lakeland, Florida. The Customer shall assume all responsibility and expense for removal, reinstallation, and freight to and from Lakeland, Florida. Any item designated as manufactured by others shall be covered only by the express warranty of the manufacturer thereof, if any. Parts of products, or accessories, manufactured by third parties are warranted only to the extent of the original manufacturer's express warranty, if any. In order for this express warranty to be valid and enforceable, Customer shall give Barney's Pumps a written notice within the warranty period above and shall give Barney's Pumps a reasonable opportunity to inspect the materials/goods alleged to be defective, as well as the installation and use thereof. If written notice is not received by Barney's Pumps within the warranty period, any warranty is deemed waived.

9. Service, Repair and Maintenance Work: From time to time, Barney's Pumps may perform service, repair and maintenance work for the Customer on materials/goods purchased by the Customer and/or provide training to Customer concerning said materials/goods. For all repair and maintenance work performed by Barney's Pumps at Barney's Pumps facility, Barney's Pumps warrants said repair and maintenance work against defects in material and workmanship only for the ninety (90) days from the date of completion of said repair and maintenance work. For service, repair and maintenance in the field and for training to customers, Barney's Pumps warrants only that said service, repair and maintenance and field training shall be free from defects in materials and workmanship for ninety (90) days following the date of completion of said services. In order for this express warranty to be valid and enforceable, Customer shall give Barney's Pumps a written notice within the warranty period above and shall give Barney's Pumps a reasonable opportunity to inspect the materials/goods repaired as well as the installation and use thereof. If written notice is not received by Barney's Pumps within the warranty period, the warranty shall be waived by Customer.
10. Customer acknowledges and agrees that any UNITRON CONTROLS®, SCI-TEXT®, or other software provided by BARNEY'S PUMPS in connection with any hardware or control panel products is provided under license, and not sold, to Customer. Customer does not acquire any ownership interest in the software and Barney's Pumps reserves all right, title, and interest in and to the software and all intellectual property rights arising therefrom. Subject to and conditioned upon Customer's strict compliance with the terms of this Agreement, Barney's Pumps hereby grants to Customer a non-exclusive, non-transferable, non-sublicensable limited scope license to use such software in conjunction and only with the hardware specifically provided by Barney's Pumps. Barney's Pumps reserves all rights in the software not expressly granted herein.
11. All drawings, specifications, designs, plans and other documents (including without limitation those in electronic form) prepared by Barney's Pumps (collectively the "Plans and Specifications") are property of Barney's Pumps. Barney's Pumps is and shall be deemed the author and owner of the Plans and Specifications. Barney's Pumps retains all common law, statutory and other rights thereto, including without limitation all copyrights. Customer hereby assigns to Barney's Pumps any interest Customer has or may have in the Plans and Specifications, and otherwise expressly disclaims and waives any right and/or claim of ownership in and to the Plans and Specifications.
12. **EXCLUSION OF ALL OTHER WARRANTIES: THE EXPRESS WARRANTIES CONTAINED HEREIN ARE IN LIEU OF ALL OTHER WARRANTIES, INCLUDING ALL IMPLIED WARRANTIES, INCLUDING WARRANTIES ARISING FROM COURSE OF DEALING OR USAGE OF TRADE. ALL OTHER IMPLIED WARRANTIES, INCLUDING, BUT NOT LIMITED TO, ANY IMPLIED WARRANTY OF MERCHANTABILITY OR FITNESS FOR A PARTICULAR PURPOSE, NON-INFRINGEMENT OF THIRD-PARTY INTELLECTUAL PROPERTY, OR THAT ANY UNITRON CONTROLS®, SCI-TEXT®, OR OTHER SOFTWARE PROVIDED IN CONNECTION WITH A CONTROL PANEL WILL BE SECURE, UNINTERRUPTED, ERROR-FREE, OR SUITABLE FOR THE PARTICULAR NEEDS OF CUSTOMER ARE HEREBY DISCLAIMED AND EXCLUDED FROM THIS TRANSACTION AND SHALL NOT APPLY TO ANY PRODUCTS PURCHASED FROM BARNEY'S PUMPS, INCLUDING MATERIALS OR GOODS PRODUCED OR MANUFACTURED BY BARNEY'S PUMPS, OR ANY PARTS INCORPORATED INTO ANY BARNEY'S PUMPS PRODUCT. THE MATERIALS/GOODS SOLD BY BARNEY'S PUMPS TO THE CUSTOMER ARE SOLD AND DELIVERED "AS IS" AND "WITH ALL FAULTS."**
13. UNDER NO CIRCUMSTANCES SHALL BARNEY'S PUMPS BE LIABLE TO THE CUSTOMER FOR INCIDENTAL, SPECIAL OR CONSEQUENTIAL DAMAGES OF ANY NATURE AND HOWEVER OCCASIONED, WHETHER ALLEGED AS A RESULT OF BREACH OF WARRANTY OR CONTRACT BY BARNEY'S PUMPS, AS A RESULT OF THE NEGLIGENCE OF BARNEY'S PUMPS, OR OTHERWISE. BARNEY'S PUMPS AND THE CUSTOMER AGREE THAT THE SOLE AND EXCLUSIVE REMEDY AGAINST BARNEY'S PUMPS REGARDING GOODS AND/OR MATERIALS PROVIDED BY OR DELIVERED BY BARNEY'S PUMPS SHALL BE FOR THE REPAIR OR REPLACEMENT OF ANY DEFECTIVE PART PURSUANT TO THE EXPRESS WARRANTY PROVISIONS HEREIN.

14. This Agreement constitutes the entire agreement between the Customer and Barney's Pumps. This Agreement takes precedence and shall be controlling over any conflicting provision in all other writings, whether agreed upon by the Customer and/or Barney's Pumps, or otherwise, including any purchase order from Customer. Furthermore, Customer agrees that any indemnification or hold harmless provision in any document provided to Barney's Pumps by the Customer is not accepted by Barney's Pumps unless Barney's Pump's consents in writing to said provision(s). THE CUSTOMER AGREES THAT ANY REPRESENTATION, PROMISE, CONDITION, INDUCEMENT OR WARRANTY, EXPRESS OR IMPLIED, NOT INCLUDED IN WRITING IN THIS AGREEMENT SHALL NOT BE BINDING ON BARNEY'S PUMPS, AND ANY RELIANCE BY THE CUSTOMER ON ANYTHING OTHER THAN THE WRITING CONTAINED HEREIN IS UNREASONABLE.
15. If any provision of this Agreement is held to be illegal, invalid, or otherwise unenforceable under present or future laws, such provision shall be fully severable, the same as if such invalid or unenforceable provision had never comprised part of this Agreement. The remaining provisions of this Agreement shall remain in full force and effect and shall not be affected by the illegal, invalid or unenforceable provision or by its severance from this Agreement.
16. The fact that Barney's Pumps may have initially drafted or structured this Agreement shall not be considered in construing any particular provision herein either in favor of or against Barney's Pumps or the Customer.
17. As to each person signing and/or accepting this Agreement on behalf of a corporation or other entity, each such person represents and warrants that he or she is competent and authorized to enter into this Agreement.
18. This Agreement shall be construed and enforced in accordance with the laws of the State of Florida only, regardless of any principles of conflicts of laws. Exclusive venue and jurisdiction for any claims, causes of action or disputes between the Customer and Barney's Pumps shall be vested in the appropriate state court in Polk County, Florida.
19. **THE CUSTOMER AND BARNEY'S PUMPS HEREBY WAIVE THEIR RIGHT TO A TRIAL BY JURY ON ANY DISPUTE ARISING BETWEEN THEM.**







CASCADe PUMP COMPANY
 10107 South Norwalk Boulevard • PO Box 2767
 Santa Fe Springs, California 90670-0767

CURVE NUMBER
AP1406

DATE
 03-88

SUPERCEDES
NEW ISSUE

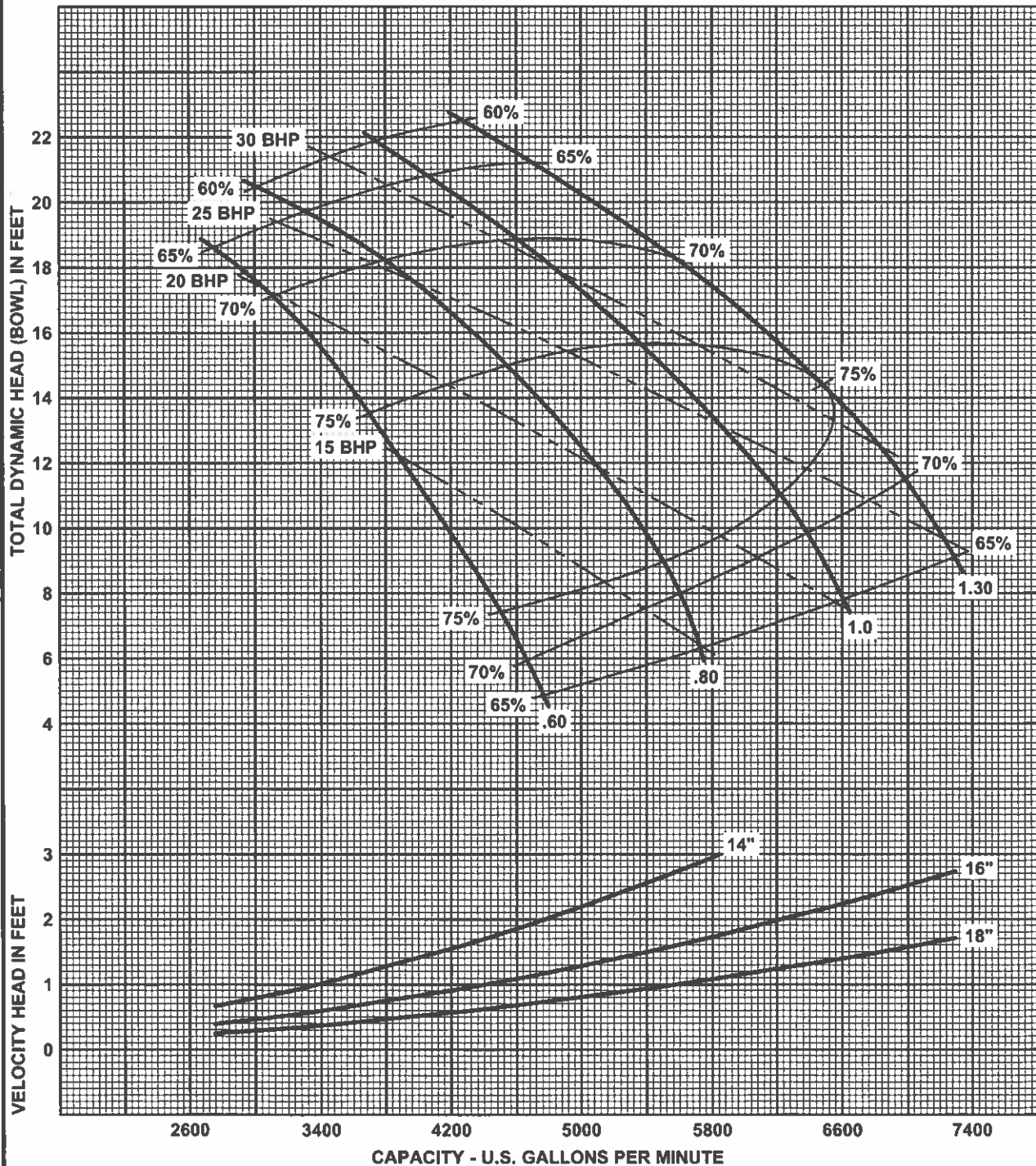
14

AP

**1175
 RPM**

CASCADe AXIAL FLOW PUMP

31 INCHES MINIMUM SUBMERGENCE ABOVE SUCTION BELL

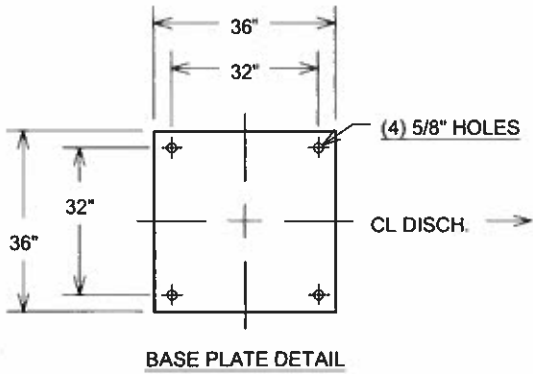
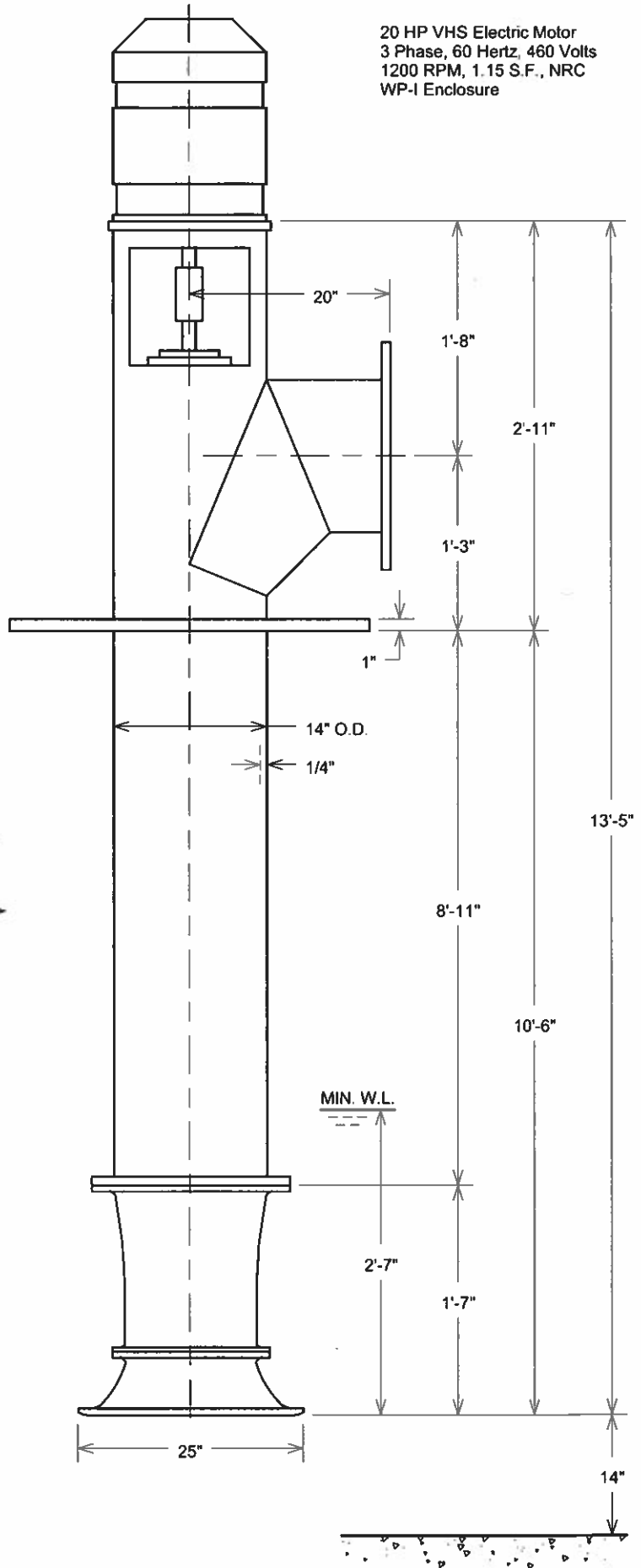


CURVE CHARACTERISTICS BASED ON PUMP PERFORMANCE WITH SPECIFIED AMOUNT OF CLEAR, NON-AERATED, FRESH COLD WATER.

THIS PERFORMANCE CURVE IS FOR ESTIMATING ONLY. CURVE SHOWS SINGLE STAGE PERFORMANCE. FOR MULTIPLE, VARIABLE AND OTHER SPEED APPLICATIONS, CONSULT FACTORY.

20 HP VHS Electric Motor
 3 Phase, 60 Hertz, 460 Volts
 1200 RPM, 1.15 S.F., NRC
 WP-I Enclosure

Oil Lubrication



Customer Name: BARNEY'S PUMPS

Job Name: DUPLICATE OF SO 15561 AND SO14571
 5000 GPM AT 12' TDH

CASCADE PUMP COMPANY
 SANTA FE SPRINGS, CALIFORNIA

#14AP Propeller Pump
 1.6" -125# ASA Flanged Discharge

DATE 01/06/21	SCALE NONE	
DRAWN J. TEMPLE	CHECKED	
		21-001